

1

2

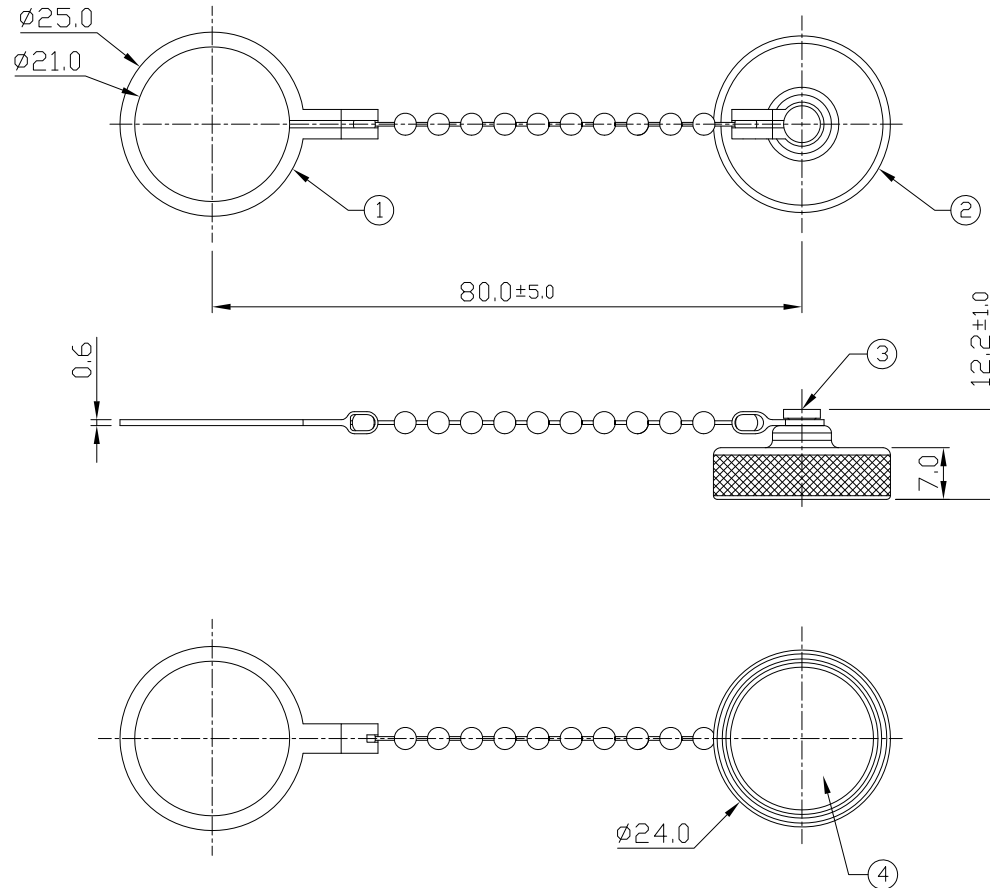
3

4

Notes: (Unless Otherwise Specified)

- 1. Waterproof Rate: IP68.
- 2. RoHS Compliant.

REV	ECN#	DESCRIPTION OF REVISION	DRAW BY DATE	CHECK BY DATE	APPROVE BY DATE
02	ECN-200602	Modify title.	Aileen 06/05/20	Lucas 06/05/20	Ray 06/05/20



Item	Part Name	Material / Finish	Q'ty
4	Rubber Pad	Silicone Color: Black	1
3	Metal Rivet	Copper Alloy Finish: Ni Plated	1
2	Metal Screw Cap	Copper Alloy Finish: Ni Plated	1
1	Metal Chain	SUS 304 Finish:-	1

GTC
 DOC.CENTER.ISSUE
 JUN.05.2020
 ONLY FOR
 RELEASE

TITLE Cap Metal For C3 Screw Panel With Metal Chain						DRAWING NUMBER GT2C215012			REV. 02	
THIRD ANGLE PROJECTION	SIZE B	SCALE 1:1	DRAW / DATE Viola 05/23/18	CHECK / DATE Lucas 05/23/18	APPROVE / DATE Ray 05/23/18	TOLERANCES X.X ± 0.5 X.XXX ± 0.2 X.XXX ANGLES ± 0.05 ± 1°		UNIT mm	SHEET 1/1	

GT Contact CO.,LTD

NOTICE OF PROPRIETARY PROPERTY:
 THE INFORMATION CONTAINED HEREIN IS THE PROPRIETARY PROPERTY OF GT Contact CO.,LTD THE POSSESSOR AGREES TO THE FOLLOWING:
 (i) TO MAINTAIN THIS DOCUMENT IN CONFIDENCE
 (ii) NOT TO REPRODUCE OR COPY IT
 (iii) NOT TO REVEAL OR PUBLISH IT IN WHOLE OR PART
 (iv) ALL RIGHTS RESERVED

1

2

3

4