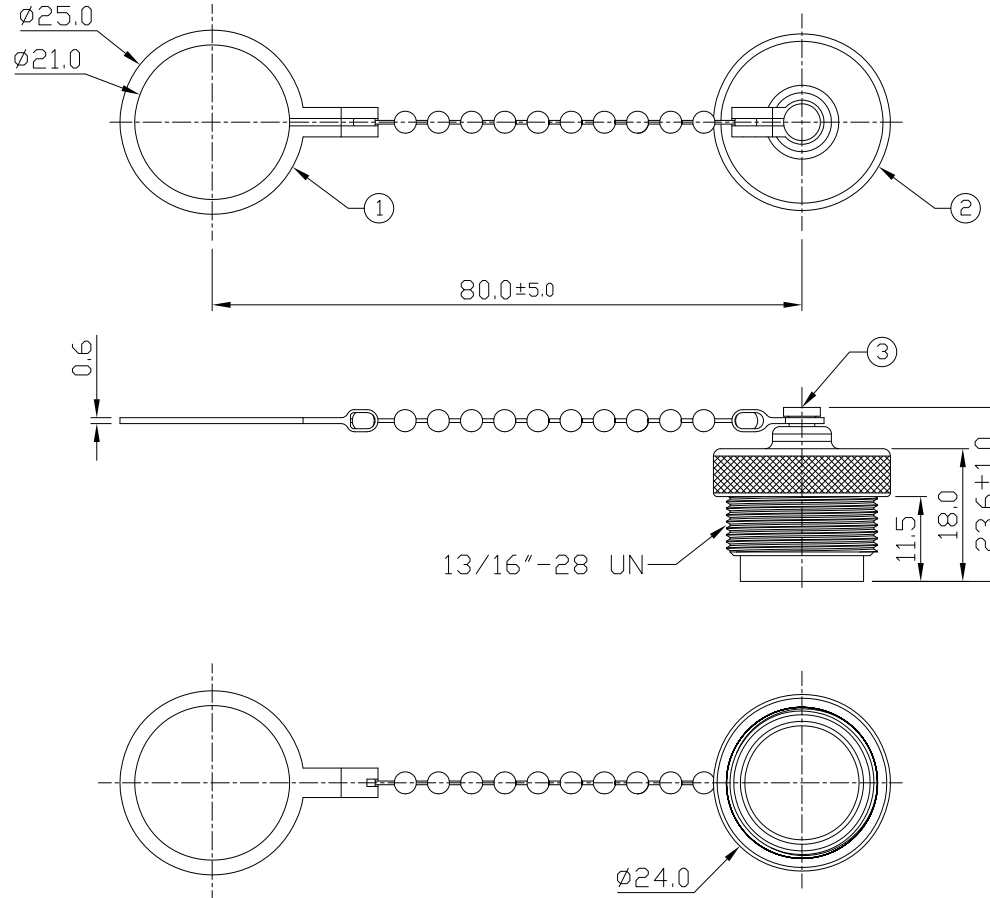


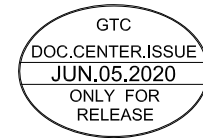
Notes: (Unless Otherwise Specified)

1. Waterproof Rate: IP68.
2. RoHS Compliant.

REV	ECN#	DESCRIPTION OF REVISION	DRAW BY DATE	CHECK BY DATE	APPROVE BY DATE
A2	ECN-200602	Modify title.	Aileen 06/05/20	Lucas 06/05/20	Ray 06/05/20



Item	Part Name	Material / Finish	Q'ty
3	Metal Rivet	Copper Alloy Finish: Ni Plated	1
2	Metal Screw Cap	Copper Alloy Finish: Ni Plated	1
1	Metal Chain	SUS 304 Finish:-	1



TITLE Cap Metal For C3 Screw Cable End With Metal Chain						DRAWING NUMBER GT2C213212			REV. A2		
THIRD ANGLE PROJECTION	SIZE B	SCALE 1:1	DRAW / DATE Joyce 01/29/13	CHECK / DATE Lucas 01/29/13	APPROVE / DATE Ray 01/29/13	TOLERANCES X.X ± 0.5 X.XX ± 0.2		ANGLES X.XXX ± 0.05 ± 1°		UNIT mm	SHEET 1/1

GT Contact CO.,LTD

NOTICE OF PROPRIETARY PROPERTY:
THE INFORMATION CONTAINED HEREIN IS THE PROPRIETARY PROPERTY OF GT CONTACT CO.,LTD THE POSSESSOR AGREES TO THE FOLLOWING:
(i) TO MAINTAIN THIS DOCUMENT IN CONFIDENCE
(ii) NOT TO REPRODUCE OR COPY IT
(iii) NOT TO REVEAL OR PUBLISH IT IN WHOLE OR PART
(iv) ALL RIGHTS RESERVED