

1

2

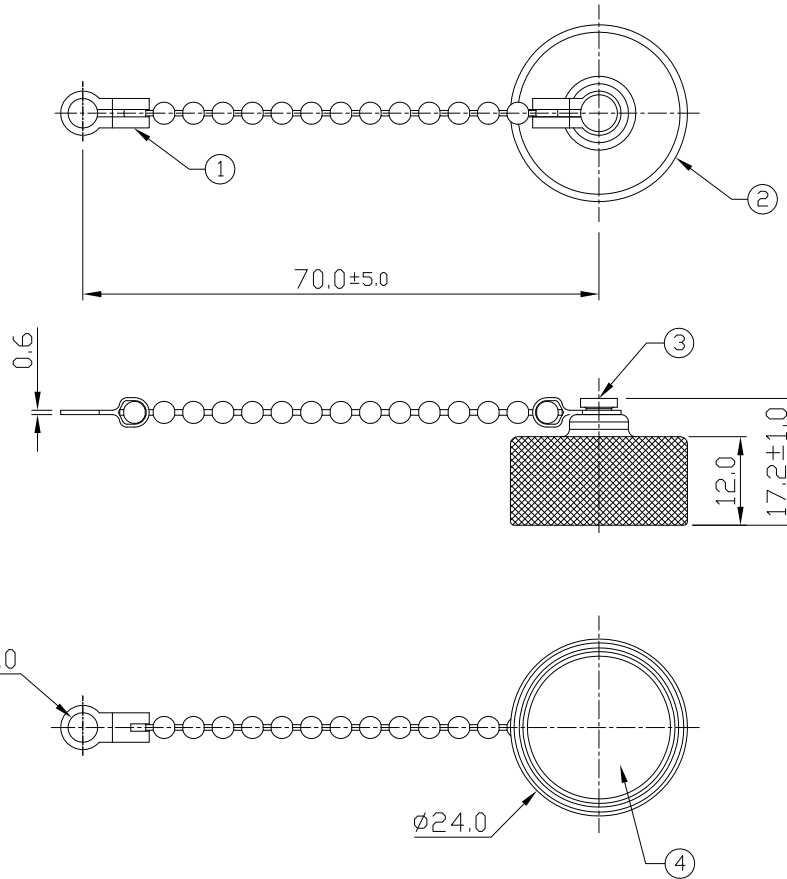
3

4

Notes: (Unless Otherwise Specified)

- 1. Waterproof Rate: IP68.
- 2. RoHS Compliant.

| REV | ECN# | DESCRIPTION OF REVISION | DRAW BY DATE | CHECK BY DATE | APPROVE BY DATE |
|-----|------------|-------------------------|--------------------|-------------------|-----------------|
| A1 | ECN-200602 | Modify title. | Aileen 06/05/20 | Lucas 06/05/20 | Ray 06/05/20 |



| Item | Part Name | Material / Finish | Q'ty |
|------|-----------------|-----------------------------------|------|
| 4 | Rubber Pad | Silicone Color: Black | 1 |
| 3 | Metal Rivet | Copper Alloy Finish: Ni Plated | 1 |
| 2 | Metal Screw Cap | Copper Alloy Finish: Ni Plated | 1 |
| 1 | Metal Chain | Stainless Finish:- | 1 |



| | | | | | | | | | | |
|--|-----------|--------------|-------------------------------|--------------------------------|--------------------------------|---|--|------------|--------------|--|
| TITLE Cap Metal For C3 Screw Panel With Metal Chain | | | | | | DRAWING NUMBER GT2C213062 | | | REV. A1 | |
| THIRD ANGLE PROJECTION | SIZE B | SCALE 1:1 | DRAW / DATE Joyce 05/21/15 | CHECK / DATE Lucas 05/21/15 | APPROVE / DATE Ray 05/21/15 | TOLERANCES X.X ± 0.5 X.XXX ± 0.2 X.XX ± 0.2 ANGLES ± 1° | | UNIT mm | SHEET 1/1 | |

GT Contact CO.,LTD

NOTICE OF PROPRIETARY PROPERTY:
THE INFORMATION CONTAINED HEREIN IS THE PROPRIETARY PROPERTY OF GT CONTACT CO.,LTD THE POSSESSOR AGREES TO THE FOLLOWING:
(i) TO MAINTAIN THIS DOCUMENT IN CONFIDENCE
(ii) NOT TO REPRODUCE OR COPY IT
(iii) NOT TO REVEAL OR PUBLISH IT IN WHOLE OR PART
(iv) ALL RIGHTS RESERVED

1

2

3

4