

1

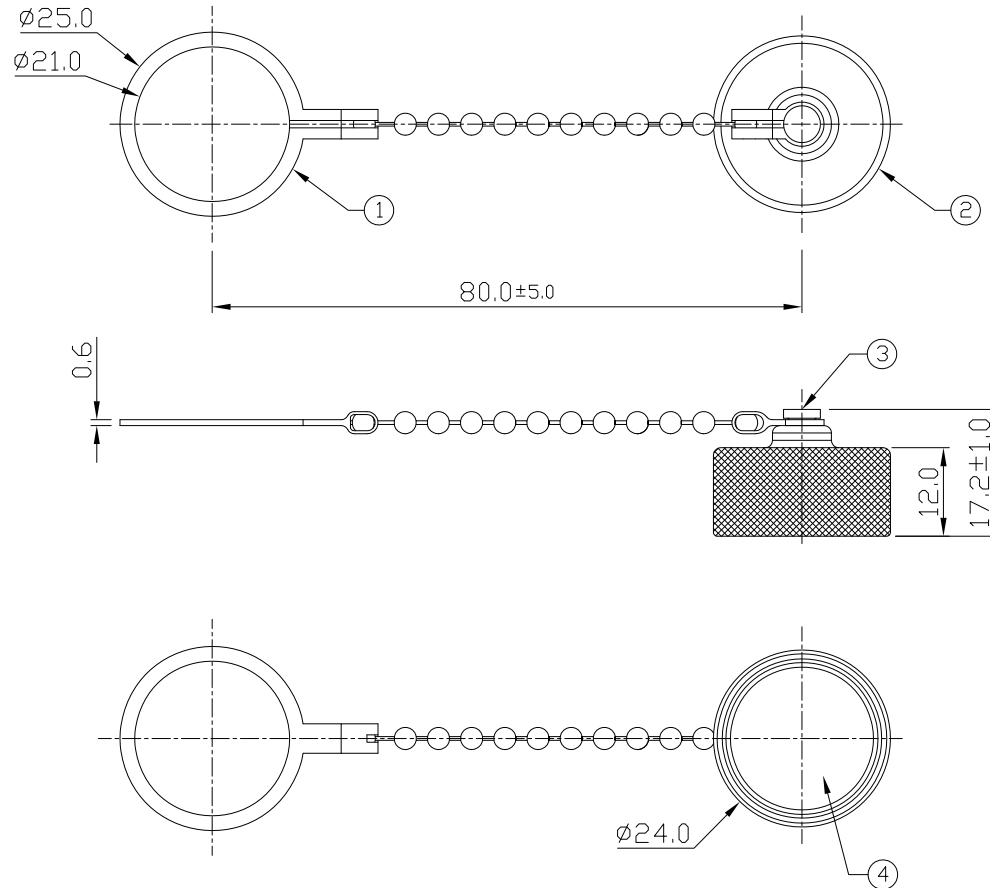
2

3

4

Notes: (Unless Otherwise Specified)  
 1. Waterproof Rate: IP68.  
 2. RoHS Compliant.

REV	ECN#	DESCRIPTION OF REVISION	DRAW BY DATE	CHECK BY DATE	APPROVE BY DATE
02	ECN-200602	Modify title.	Aileen 06/05/20	Lucas 06/05/20	Ray 06/05/20



Item	Part Name	Material / Finish	Q'ty
4	Rubber Pad	Silicone Color: Black	1
3	Metal Rivet	Copper Alloy Color: Green	1
2	Metal Screw Cap	Copper Alloy Color: Green	1
1	Metal Chain	SUS 304 Color: Green	1

GTC  
 DOC.CENTER.ISSUE  
 JUN.05.2020  
 ONLY FOR  
 RELEASE

TITLE Cap Metal For C3 Screw Panel With Metal Chain						DRAWING NUMBER GT2C213012(G)			REV. 02	
THIRD ANGLE PROJECTION	SIZE B	SCALE 1:1	DRAW / DATE Hank 08/07/15	CHECK / DATE Lucas 08/07/15	APPROVE / DATE Ray 08/07/15	TOLERANCES X.X ± 0.5 X.XXX ± 0.05 X.XX ± 0.2 ANGLES ± 1°		UNIT mm	SHEET 1/1	

GT Contact CO.,LTD

NOTICE OF PROPRIETARY PROPERTY:  
 THE INFORMATION CONTAINED HEREIN IS THE PROPRIETARY PROPERTY OF GT Contact CO.,LTD THE POSSESSOR AGREES TO THE FOLLOWING:  
 (A) TO MAINTAIN THIS DOCUMENT IN CONFIDENCE  
 (B) NOT TO REPRODUCE OR COPY IT  
 (C) NOT TO REVEAL OR PUBLISH IT IN WHOLE OR PART  
 (D) ALL RIGHTS RESERVED

1

2

3

4