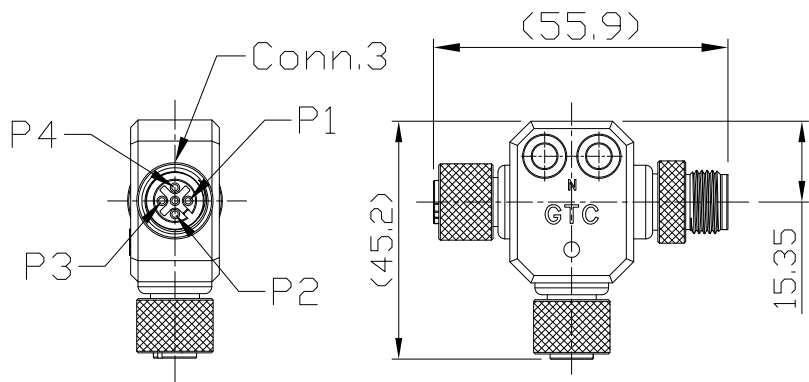


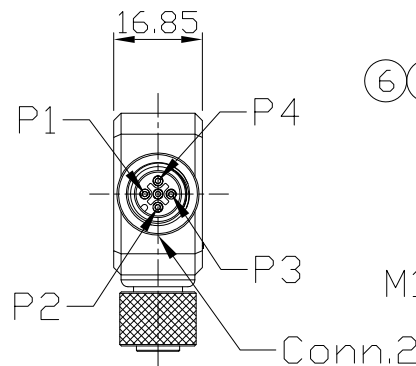
Notes: (Unless Otherwise Specified)

1. Waterproof Rate: IP68.
2. Durability: 100 Cycles Min.
3. DWV: 1000 Vrms
4. Insulation Resistance: 100 MΩ MIN.
5. RoHS&REACH Compliant.

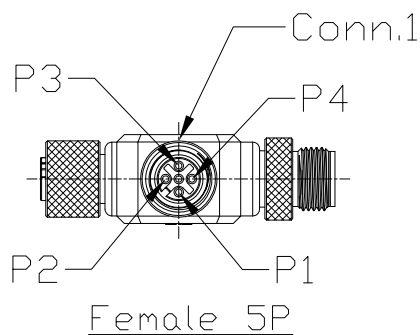
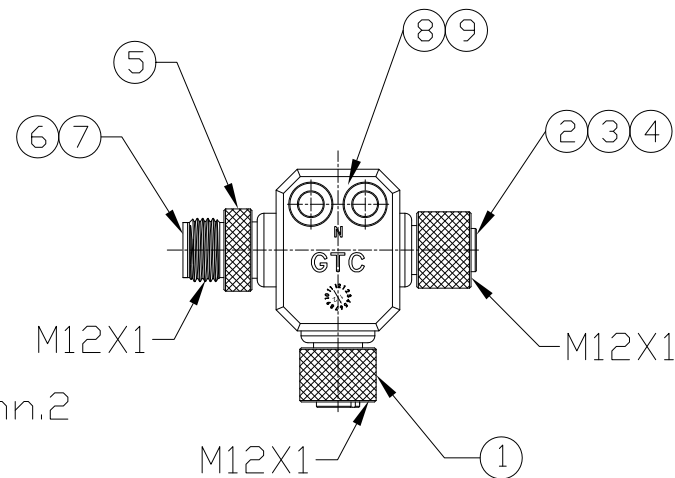
REV	ECN#	DESCRIPTION OF REVISION	DRAW BY DATE	CHECK BY DATE	APPROVE BY DATE
A5	ECN-180743	O-ring Color Change To Green	Lucas 08/01/18	Lucas 08/01/18	Ray 08/01/18



Female 5P



Male 5P



Female 5P

1	1	1	Green
2	2	2	Red
3	3	3	Black
4	4	4	White
5	5	5	Blue

Conn.1 Conn.2 Conn.3

Wiring Diagram

GTC  
DOC.CENTER.ISSUE  
AUG.01.2018  
ONLY FOR  
RELEASE

9	Over Mold	PVC Color: Black	1
8	Inner Mold	PVDF Color: White	1
7	Male Contacts	Copper Alloy Finish: Au Plated	5
6	Male Housing	Thermoplastic Color: Black	1
5	Male Screw Nut	Copper Alloy Finish: Ni Plated	1
4	O-Ring	Viton Color: Green	2
3	Female Contacts	Copper Alloy Finish: Au Plated	10
2	Female Housing	Thermoplastic Color: Black	2
1	Female Screw Nut	Copper Alloy Finish: Ni Plated	2
Item	Part Name	Material / Finish	Qty

AS

TITLE						DRAWING NUMBER			REV.
NMEA 2000 Micro Tee 4A 5P						GT2731F6-21050			A5
THIRD ANGLE PROJECTION	SIZE	SCALE	DRAW / DATE	CHECK / DATE	APPROVE / DATE	TOLERANCES	UNIT	SHEET	
DD NOT SCALE DRAWINGS	B	1:2	Joyce 09/03/12	Lucas 09/03/12	Ray 09/03/12	X.X ± 0.5 X.XX ± 0.2 ANGLES ± 1°	mm	1/1	

GT Contact CO.,LTD

NOTICE OF PROPRIETARY PROPERTY:  
THE INFORMATION CONTAINED HEREIN IS THE PROPRIETARY PROPERTY OF GT CONTACT CO.,LTD THE POSSESSOR AGREES TO THE FOLLOWING:  
(1) TO MAINTAIN THIS DOCUMENT IN CONFIDENCE  
(2) NOT TO REPRODUCE OR COPY IT  
(3) NOT TO REVEAL OR PUBLISH IT IN WHOLE OR PART  
(4) ALL RIGHTS RESERVED