

1

2

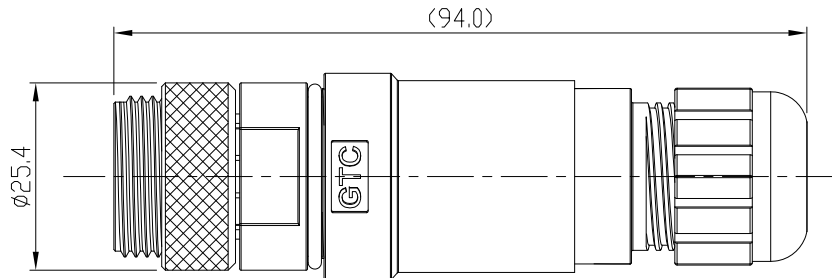
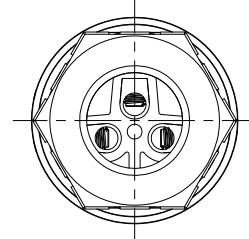
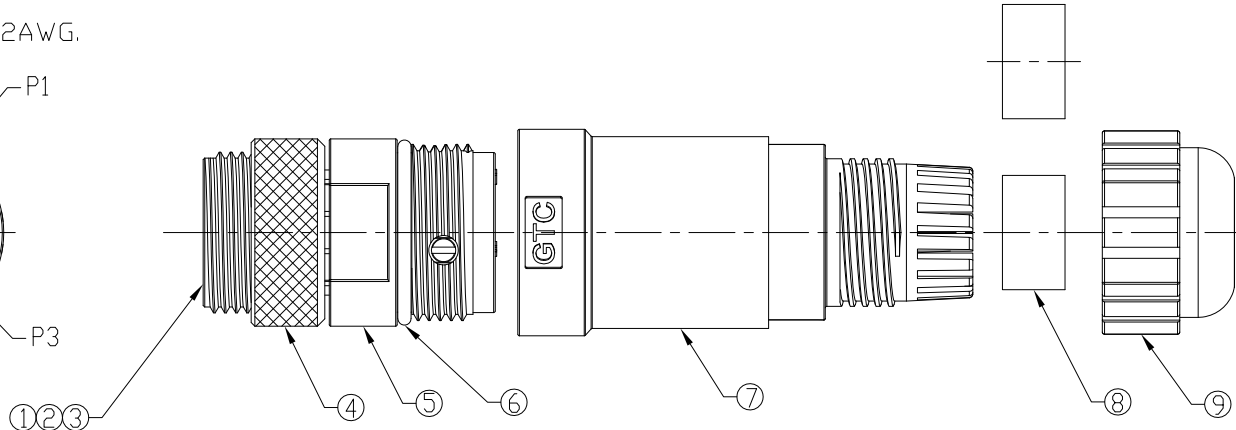
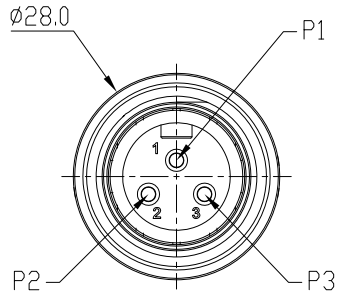
3

4

Notes: (Unless Otherwise Specified)

- 1. Suitable Cable OD= 8.0 mm to 12.5 mm
- 2. Recommend Cover Torque: 9 to 10 kgf-cm.
- 3. Recommend Gland Nut Torque: 15 to 20 kgf-cm.
- 4. RoHS Compliant.
- 5. Wire Range Is 16~12AWG.

REV	ECN#	DESCRIPTION OF REVISION	DRAW BY DATE	CHECK BY DATE	APPROVE BY DATE
A2	ECN-210717	Housing Material PUR => PVC	Joyce 07/23/21	Lucas 07/23/21	Ray 07/23/21



5	Base	Thermal Plastic Color: Black	1	9	Gland Nut	Thermal Plastic Color: Black	1
4	Screw Nut	Copper Alloy Finish: Ni Plated	1	8	Gland	NBR ; ID=8.0mm*1 , ID=12.5mm*1 Color: Black	2
3	Screw	S15C Finish: Ni Plated	3	7	Cover	Thermal Plastic Color: Black	1
2	Contacts	Copper Alloy Finish: Au Plated	3	6	O Ring	Silicone Color: Black	1
1	Housing	PVC Color: Black	1				
Item	Part Name	Material / Finish	Q'ty	Item	Part Name	Material / Finish	Q'ty



TITLE						DRAWING NUMBER			REV.
Mini 13A 3P Field Installable Cable End Male Screw-In						GT272254-34030			A2
	B	1:1	Edwin 03/15/11	Lucas 03/15/11	Ray 03/15/11	X.X ± 0.5 X.XX ± 0.2	X.XXX ± 0.05 ANGLES ± 1°	mm	1/1
THIRD ANGLE PROJECTION	SIZE	SCALE	DRAW / DATE	CHECK / DATE	APPROVE / DATE	TOLERANCES		UNIT	SHEET

GT Contact CO.,LTD

NOTICE OF PROPRIETARY PROPERTY:
THE INFORMATION CONTAINED HEREIN IS THE PROPRIETARY PROPERTY OF GT Contact CO.,LTD THE POSSESSOR AGREES TO THE FOLLOWING:
(i) TO MAINTAIN THIS DOCUMENT IN CONFIDENCE
(ii) NOT TO REPRODUCE OR COPY IT
(iii) NOT TO REVEAL OR PUBLISH IT IN WHOLE OR PART
(iv) ALL RIGHTS RESERVED

1

2

3

4