

1

2

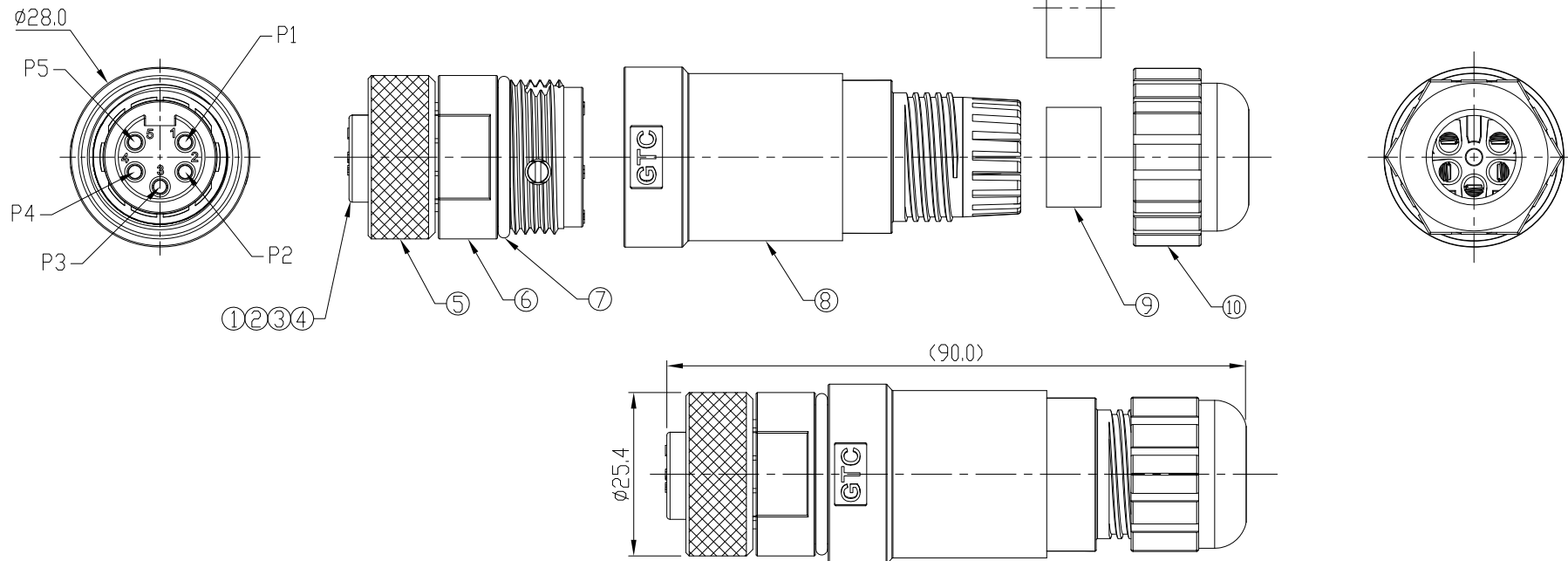
3

4

Notes: (Unless Otherwise Specified)

- Suitable Cable OD= 8.0 mm to 12.5 mm
- Recommend Cover Torque: 9 to 10 kgf-cm.
- Recommend Gland Nut Torque: 15 to 20 kgf-cm.
- RoHS Compliant.
- Wire Range Is 16~12AWG.

REV	ECN#	DESCRIPTION OF REVISION	DRAW BY DATE	CHECK BY DATE	APPROVE BY DATE
A3	ECN-210717	Housing Material PUR => PVC	Joyce 07/23/21	Lucas 07/23/21	Ray 07/23/21



5	Screw Nut	Copper Alloy Finish: Ni Plated	1	10	Gland Nut	Thermoplastic Color: Black	1
4	Screw	S15C Finish: Ni Plated	5	9	Gland	NBR ; ID=8.5mm*1 , ID=13.0mm*1 Color: Black	2
3	Sleeve	Copper Alloy Color: Ni Plated	5	8	Cover	Thermoplastic Color: Black	1
2	Contacts	Copper Alloy Finish: Au Plated	5	7	O-Ring	Silicone Color: Black	1
1	Housing	PVC Color: Black	1	6	Base	Thermoplastic Color: Black	1
Item	Part Name	Material / Finish	Q'ty	Item	Part Name	Material / Finish	Q'ty

GTC  
DOC.CENTER.ISSUE  
JUL.23.2021  
ONLY FOR  
RELEASE

TITLE						DRAWING NUMBER			REV.
Mini 8A 5P Field Installable Cable End Female Screw-In						GT272244-32050			A3
	B	1:1	Edwin 03/15/11	Lucas 03/15/11	Ray 03/15/11	X.X ± 0.5 X.XX ± 0.2	X.XXX ± 0.05 ANGLES ± 1°	mm	1/1
THIRD ANGLE PROJECTION	SIZE	SCALE	DRAW / DATE	CHECK / DATE	APPROVE / DATE	TOLERANCES		UNIT	SHEET

GT Contact CO.,LTD

NOTICE OF PROPRIETARY PROPERTY:  
THE INFORMATION CONTAINED HEREIN IS THE PROPRIETARY PROPERTY OF GT Contact CO.,LTD THE POSSESSOR AGREES TO THE FOLLOWING:  
(i) TO MAINTAIN THIS DOCUMENT IN CONFIDENCE  
(ii) NOT TO REPRODUCE OR COPY IT  
(iii) NOT TO REVEAL OR PUBLISH IT IN WHOLE OR PART  
(iv) ALL RIGHTS RESERVED

1

2

3

4