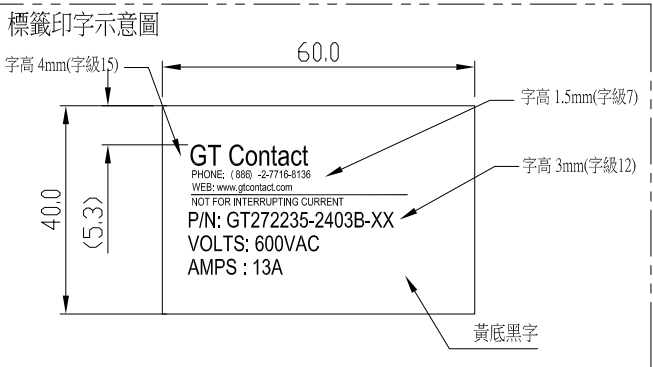


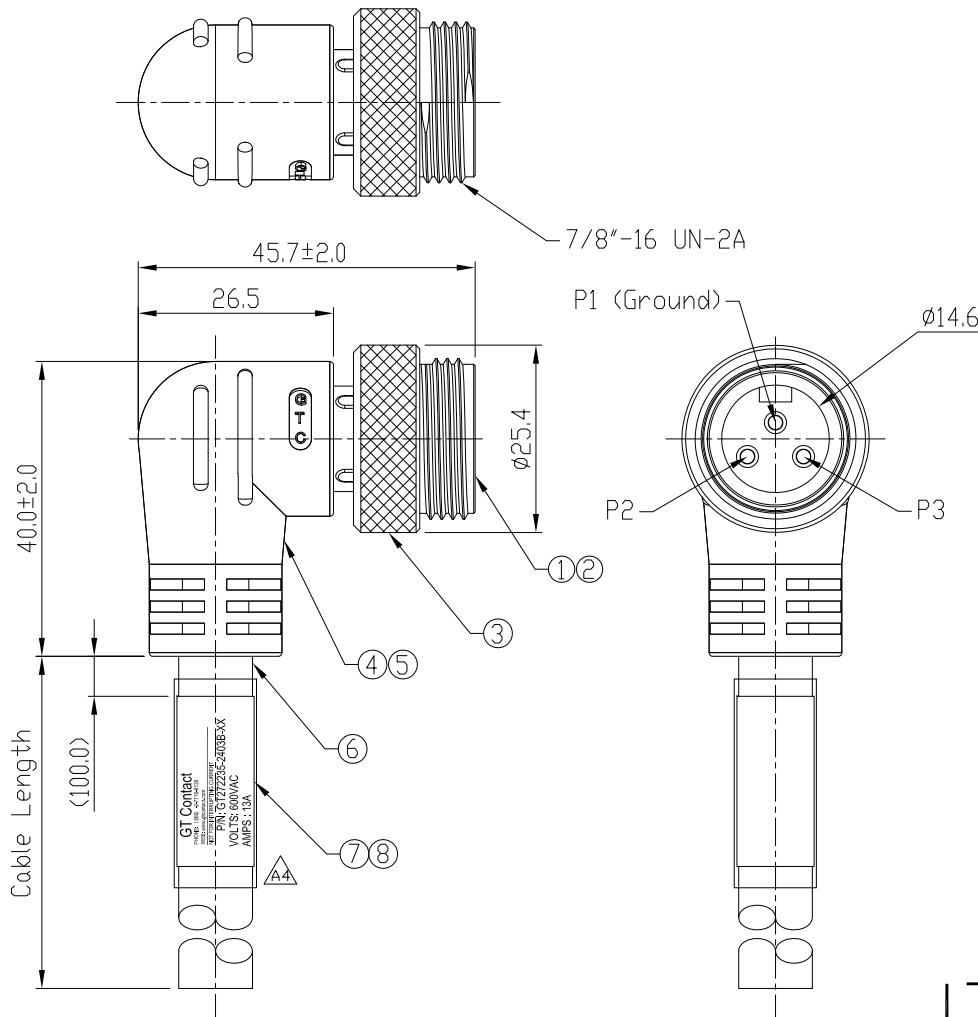
Notes: (Unless Otherwise Specified)
 1. Waterproof Rate: IP68.
 2. RoHS Compliant.



REV	ECN#	DESCRIPTION OF REVISION	DRAW BY DATE	CHECK BY DATE	APPROVE BY DATE
A3	ECN-160305	增加標籤印字示意圖	Joyce 03/10/16	Lucas 03/10/16	Ray 03/10/16
A4	ECN-210906	增加透明套管防Label翹開	Jenny 09/10/21	Lucas 09/10/21	Ray 09/10/21

1	Green(Ground)
2	Black
3	White

Wiring Diagram



GTC
 DOC.CENTER.ISSUE
 SEP.10.2021
 ONLY FOR
 RELEASE

Item	Part Name	Material / Finish	Q'ty
8	Shrink Tube	L=70mm Color: Clear	1
7	Label	60*40mm Color: Yellow	1
6	Cable	ST00W PVC, 16AWG*3C OD=10.0mm, Color: Black	1
5	Over Mold	PVC Color: Black	1
4	Inner Mold	PVC Color: Black	1
3	Screw Nut	Copper Alloy Finish: Ni Plated	1
2	Contacts	Copper Alloy Finish: Au Plated	3
1	Housing	PVC Color: Black	1

Part No.	Cable Length	Tol.
GT272235-2403B-10	10000 mm	±500
GT272235-2403B-09	9000 mm	±450
GT272235-2403B-08	8000 mm	±400
GT272235-2403B-07	7000 mm	±150
GT272235-2403B-06	6000 mm	±150
GT272235-2403B-05	5000 mm	±150
GT272235-2403B-04	4000 mm	±150
GT272235-2403B-03	3000 mm	±150
GT272235-2403B-02	2000 mm	±100
GT272235-2403B-01	1000 mm	±50
GT272235-2403B-Z9	900 mm	±40
GT272235-2403B-Z8	800 mm	±40
GT272235-2403B-Z7	700 mm	±40
GT272235-2403B-Z6	600 mm	±40
GT272235-2403B-Z5	500 mm	±40
GT272235-2403B-Z4	400 mm	±40
GT272235-2403B-Z3	300 mm	±40
GT272235-2403B-Z2	200 mm	±40

TITLE						DRAWING NUMBER			REV.	
Mini 13A 3P Cable End 90° Male With ST00W 16# Cable						GT272235-2403B-XX			A4	
THIRD ANGLE PROJECTION	SIZE	SCALE	DRAW / DATE	CHECK / DATE	APPROVE / DATE	TOLERANCES		UNIT	SHEET	
	B	1:1	Edwin 03/15/11	Lucas 03/15/11	Ray 03/15/11	X.X ± 0.5 X.XX ± 0.2	X.XXX ± 0.05 ANGLES ± 1°	mm	1/1	

GT Contact CO.,LTD
 NOTICE OF PROPRIETARY PROPERTY:
 THE INFORMATION CONTAINED HEREIN IS THE PROPRIETARY PROPERTY OF GT Contact CO.,LTD THE POSSESSOR AGREES TO THE FOLLOWING:
 (1) TO MAINTAIN THIS DOCUMENT IN CONFIDENCE
 (2) NOT TO REPRODUCE OR COPY IT
 (3) NOT TO REVEAL OR PUBLISH IT IN WHOLE OR PART
 (4) ALL RIGHTS RESERVED