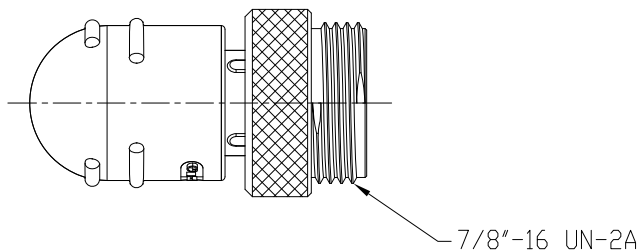
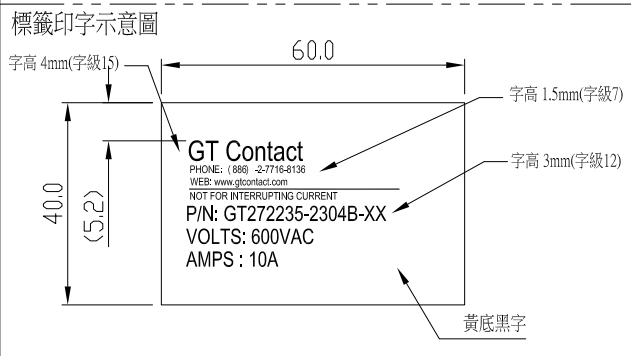


Notes: (Unless Otherwise Specified)
 1. Waterproof Rate: IP68.
 2. RoHS Compliant.

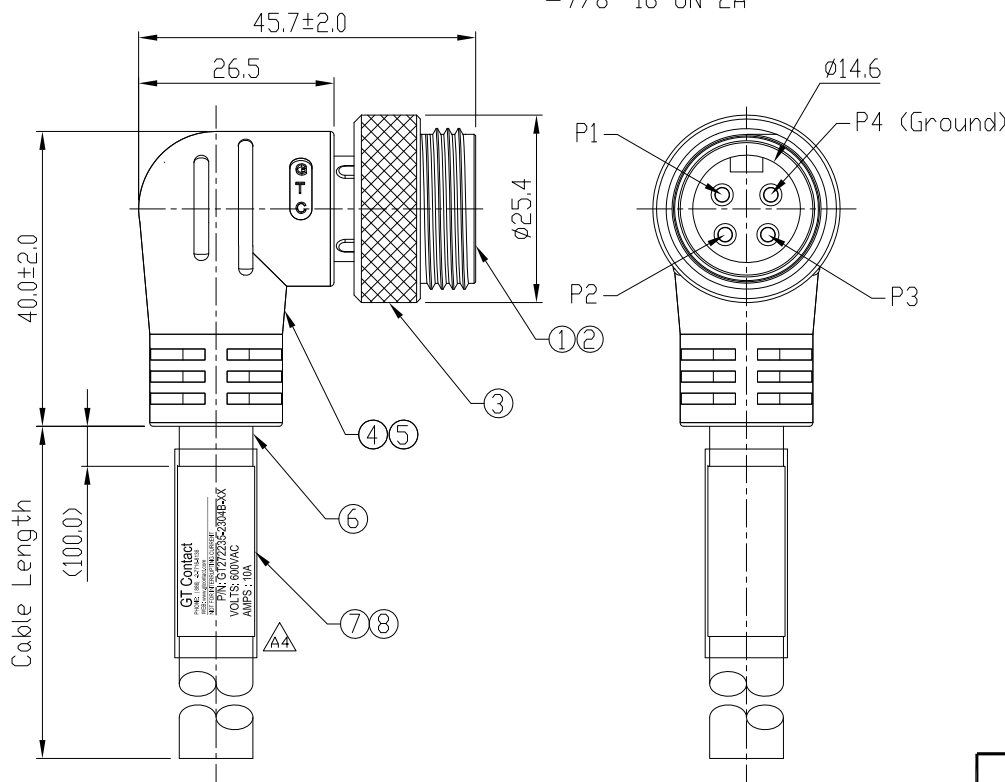
REV	ECN#	DESCRIPTION OF REVISION	DRAW BY DATE	CHECK BY DATE	APPROVE BY DATE
A3	ECN-160305	增加標籤印字示意圖	Joyce 03/10/16	Lucas 03/10/16	Ray 03/10/16
A4	ECN-210906	增加透明套管防Label翹開	Jenny 09/10/21	Lucas 09/10/21	Ray 09/10/21



1	Black
2	Red
3	White
4	Green(Ground)

Wiring Diagram

GTC
 DOC.CENTER.ISSUE
 SEP.10.2021
 ONLY FOR
 RELEASE



GT272235-2304B-10	10000 mm	±500
GT272235-2304B-09	9000 mm	±450
GT272235-2304B-08	8000 mm	±400
GT272235-2304B-07	7000 mm	±150
GT272235-2304B-06	6000 mm	±150
GT272235-2304B-05	5000 mm	±150
GT272235-2304B-04	4000 mm	±150
GT272235-2304B-03	3000 mm	±150
GT272235-2304B-02	2000 mm	±100
GT272235-2304B-01	1000 mm	±50
GT272235-2304B-Z9	900 mm	±40
GT272235-2304B-Z8	800 mm	±40
GT272235-2304B-Z7	700 mm	±40
GT272235-2304B-Z6	600 mm	±40
GT272235-2304B-Z5	500 mm	±40
GT272235-2304B-Z4	400 mm	±40
GT272235-2304B-Z3	300 mm	±40
GT272235-2304B-Z2	200 mm	±40
Part No.	Cable Length	Tol.

8	Shrink Tube	L=70mm Color: Clear	1	△A
7	Label	60*40mm Color: Yellow	1	
6	Cable	ST00W PVC, 16AWG*4C OD=11.0mm, Color: Black	1	
5	Over Mold	PVC Color: Black	1	
4	Inner Mold	PVC Color: Black	1	
3	Screw Nut	Copper Alloy Finish: Ni Plated	1	
2	Contacts	Copper Alloy Finish: Au Plated	4	
1	Housing	PVC Color: Black	1	
Item	Part Name	Material / Finish	Q'ty	

TITLE: Mini 10A 4P Cable End 90° Male With ST00W 16# Cable
 DRAWING NUMBER: GT272235-2304B-XX
 REV. A4

THIRD ANGLE PROJECTION	SIZE	SCALE	DRAW / DATE	CHECK / DATE	APPROVE / DATE	TOLERANCES	UNIT	SHEET
DD NOT SCALE DRAWINGS	B	1:1	Edwin 03/15/11	Lucas 03/15/11	Ray 03/15/11	X.X ± 0.5 X.XX ± 0.2	mm	1/1
						X.XXX ± 0.05 ANGLES ± 1°		

GT Contact CO.,LTD
 NOTICE OF PROPRIETARY PROPERTY:
 THE INFORMATION CONTAINED HEREIN IS THE PROPRIETARY PROPERTY OF GT Contact CO.,LTD THE POSSESSOR AGREES TO THE FOLLOWING:
 (1) TO MAINTAIN THIS DOCUMENT IN CONFIDENCE
 (2) NOT TO REPRODUCE OR COPY IT
 (3) NOT TO REVEAL OR PUBLISH IT IN WHOLE OR PART
 (4) ALL RIGHTS RESERVED