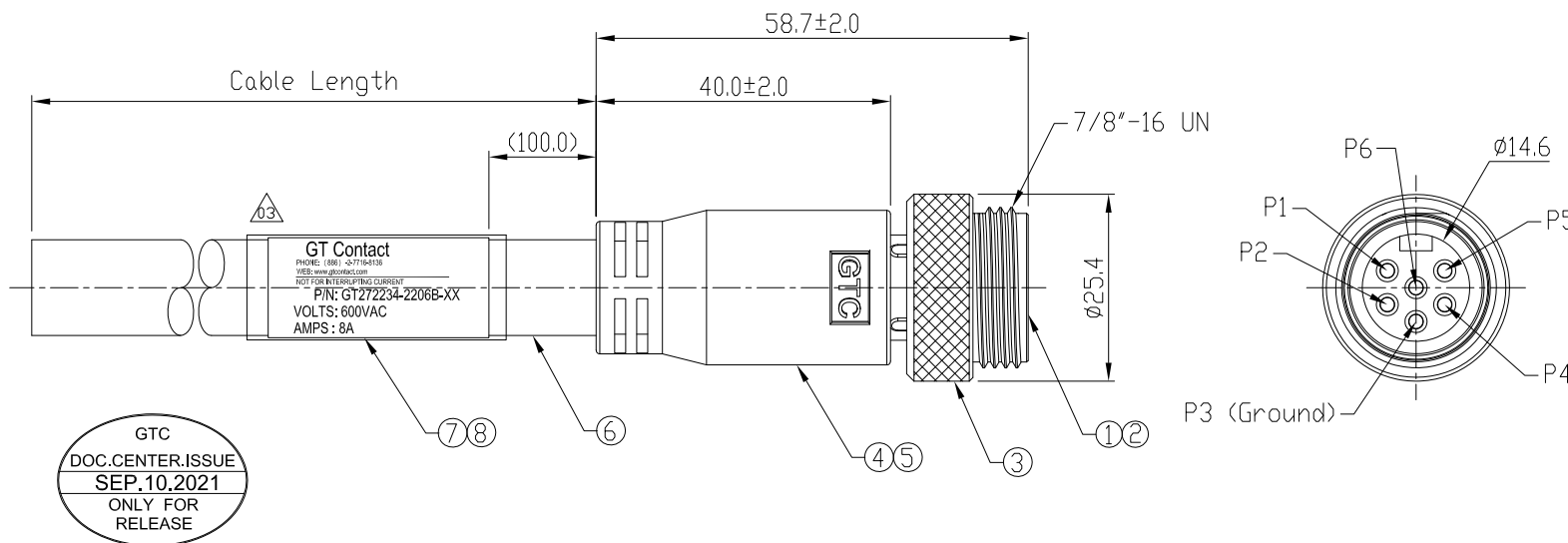


Notes: (Unless Otherwise Specified)

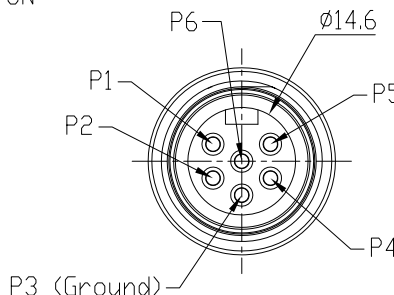
- 1. Waterproof Rate: IP68.
- 2. RoHS Compliant.

REV	ECN#	DESCRIPTION OF REVISION	DRAW BY DATE	CHECK BY DATE	APPROVE BY DATE
02	ECN-160305	增加標籤印字示意圖	Joyce 03/10/16	Lucas 03/10/16	Ray 03/10/16
03	ECN-210906	增加透明套管防Label翹開	Jenny 09/10/21	Lucas 09/10/21	Ray 09/10/21



1	White
2	Red
3	Green(Ground)
4	Orange
5	Black
6	Blue

Wiring Diagram

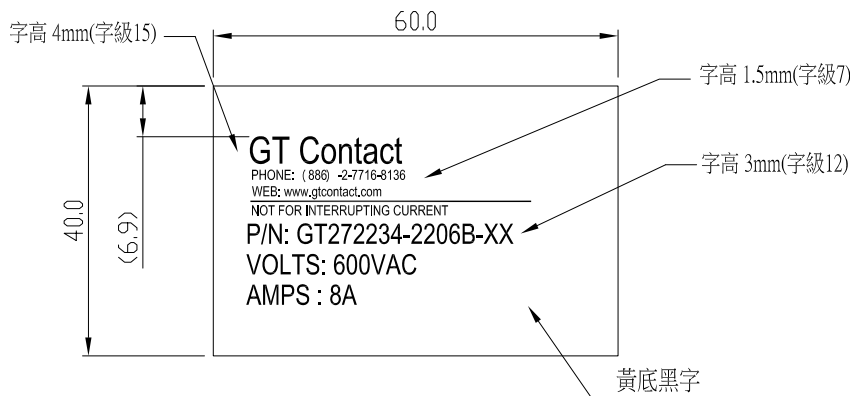


GT272234-2206B-10	10000 mm	±500
GT272234-2206B-09	9000 mm	±450
GT272234-2206B-08	8000 mm	±400
GT272234-2206B-07	7000 mm	±150
GT272234-2206B-06	6000 mm	±150
GT272234-2206B-05	5000 mm	±150
GT272234-2206B-04	4000 mm	±150
GT272234-2206B-03	3000 mm	±150
GT272234-2206B-02	2000 mm	±100
GT272234-2206B-01	1000 mm	±50
GT272234-2206B-Z9	900 mm	±40
GT272234-2206B-Z8	800 mm	±40
GT272234-2206B-Z7	700 mm	±40
GT272234-2206B-Z6	600 mm	±40
GT272234-2206B-Z5	500 mm	±40
GT272234-2206B-Z4	400 mm	±20
GT272234-2206B-Z3	300 mm	±20
GT272234-2206B-Z2	200 mm	±10
Part No.	Cable Length	Tol.

GTC  
DOC.CENTER.ISSUE  
SEP.10.2021  
ONLY FOR  
RELEASE

8	Shrink Tube	L=70mm Color: Clear	1
7	Label	60*40mm Color: Yellow	1
6	Cable	ST00W PVC, 16AWG*6C OD=13.8mm, Color: Black	1
5	Over Mold	PVC Color: Black	1
4	Inner Mold	PVC Color: Black	1
3	Screw Nut	Copper Alloy Finish: Ni Plated	1
2	Contacts	Copper Alloy Finish: Au Plated	6
1	Housing	PVC Color: Black	1
Item	Part Name	Material / Finish	Q'ty

標籤印字示意圖



TITLE Mini 8A 6P Cable End Male With ST00W 16# Cable						DRAWING NUMBER GT272234-2206B-XX			REV. 03	
---	--	--	--	--	--	-------------------------------------	--	--	------------	--

THIRD ANGLE PROJECTION	SIZE	SCALE	DRAW / DATE	CHECK / DATE	APPROVE / DATE	TOLERANCES	UNIT	SHEET
	B	1:1	Lucas 06/29/15	Lucas 06/29/15	Ray 06/29/15	X.X ± 0.5 X.XX ± 0.2	mm	1/1

GT Contact CO.,LTD

NOTICE OF PROPRIETARY PROPERTY:  
THE INFORMATION CONTAINED HEREIN IS THE PROPRIETARY PROPERTY OF GT Contact CO.,LTD THE POSSESSOR AGREES TO THE FOLLOWING:  
(1) TO MAINTAIN THIS DOCUMENT IN CONFIDENCE  
(2) NOT TO REPRODUCE OR COPY IT  
(3) NOT TO REVEAL OR PUBLISH IT IN WHOLE OR PART  
(4) ALL RIGHTS RESERVED