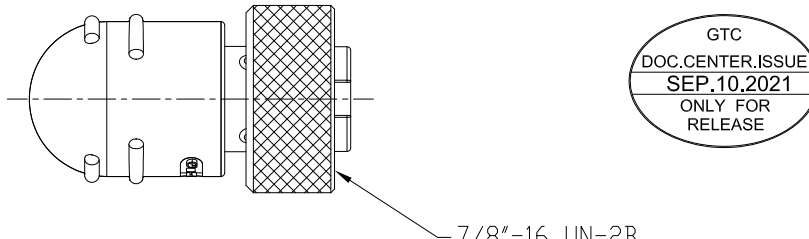
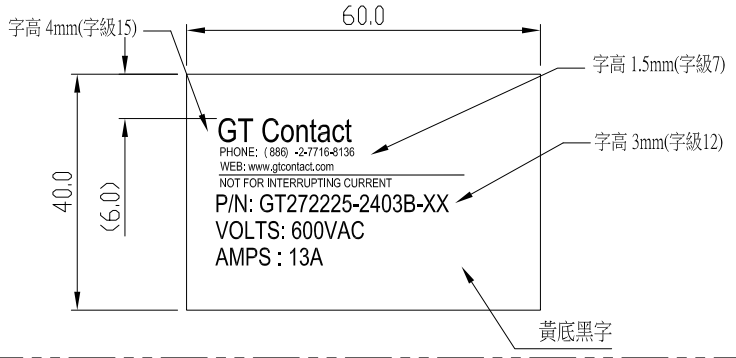


Notes: (Unless Otherwise Specified)  
 1. Waterproof Rate: IP68.  
 2. RoHS Compliant.

REV	ECN#	DESCRIPTION OF REVISION	DRAW BY DATE	CHECK BY DATE	APPROVE BY DATE
A3	ECN-160305	增加標籤印字示意圖	Joyce 03/10/16	Lucas 03/10/16	Ray 03/10/16
A4	ECN-210906	增加透明套管防Label翹開	Jenny 09/09/21	Lucas 09/09/21	Ray 09/09/21

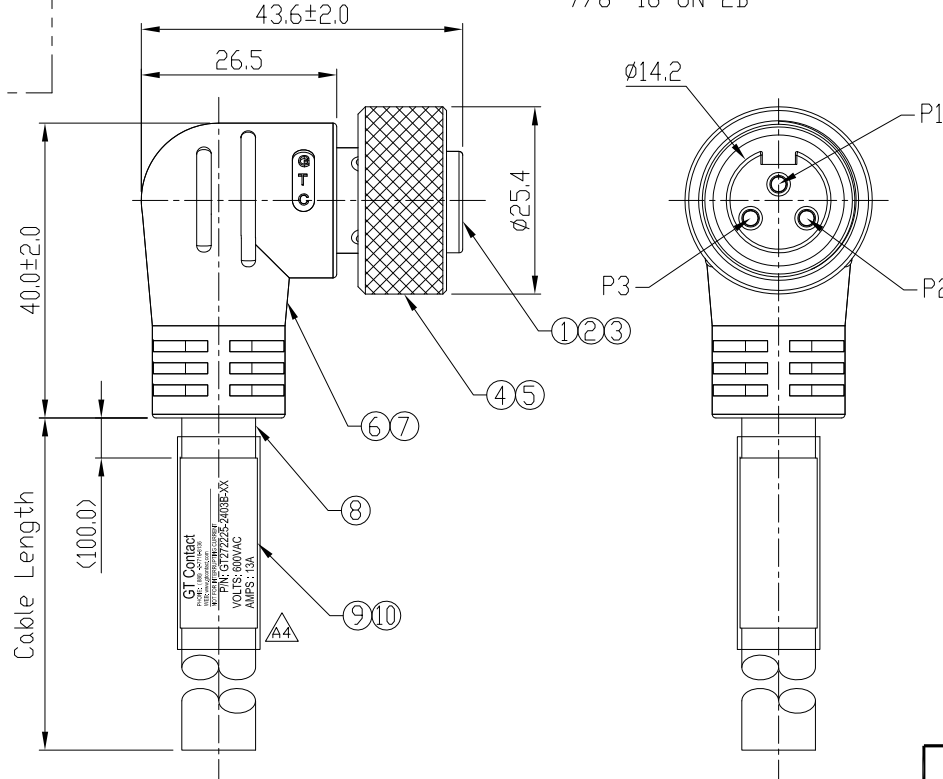
標籤印字示意圖



GTC  
 DOC. CENTER ISSUE  
 SEP.10.2021  
 ONLY FOR  
 RELEASE

1	Green(Ground)
2	Black
3	White

Wiring Diagram



Part No.	Cable Length	Tol.
GT272225-2403B-10	10000 mm	±500
GT272225-2403B-09	9000 mm	±450
GT272225-2403B-08	8000 mm	±400
GT272225-2403B-07	7000 mm	±150
GT272225-2403B-06	6000 mm	±150
GT272225-2403B-05	5000 mm	±150
GT272225-2403B-04	4000 mm	±150
GT272225-2403B-03	3000 mm	±150
GT272225-2403B-02	2000 mm	±100
GT272225-2403B-01	1000 mm	±50
GT272225-2403B-29	900 mm	±40
GT272225-2403B-28	800 mm	±40
GT272225-2403B-27	700 mm	±40
GT272225-2403B-26	600 mm	±40
GT272225-2403B-25	500 mm	±40
GT272225-2403B-24	400 mm	±40
GT272225-2403B-23	300 mm	±40
GT272225-2403B-22	200 mm	±40

Item	Part Name	Material / Finish	Q'ty
10	Shrink Tube	L=70mm Color: Clear	1
9	Label	60*40mm Color: Yellow	1
8	Cable	ST00W PVC, 16AWG*3C OD=10.0mm, Color: Black	1
7	Over Mold	PVC Color: Black	1
6	Inner Mold	PVC Color: Black	1
5	Screw Nut	Copper Alloy Finish: Ni Plated	1
4	Gasket	NBR Color: Black	1
3	Sleeve	Copper Alloy Color: Ni Plated	3
2	Contacts	Copper Alloy Finish: Au Plated	3
1	Housing	PVC Color: Black	1

TITLE Mini 13A 3P Cable End 90° Female With ST00W 16# Cable						DRAWING NUMBER GT272225-2403B-XX			REV. A4	
THIRD ANGLE PROJECTION		SIZE B	SCALE 1:1	DRAW / DATE Edwin 03/15/11	CHECK / DATE Lucas 03/15/11	APPROVE / DATE Ray 03/15/11	TOLERANCES X.X ± 0.5 X.XX ± 0.2		UNIT mm	SHEET 1/1

GT Contact CO.,LTD

NOTICE OF PROPRIETARY PROPERTY:  
 THE INFORMATION CONTAINED HEREIN IS THE PROPRIETARY PROPERTY OF GT Contact CO.,LTD THE POSSESSOR AGREES TO THE FOLLOWING:  
 (1) TO MAINTAIN THIS DOCUMENT IN CONFIDENCE  
 (2) NOT TO REPRODUCE OR COPY IT  
 (3) NOT TO REVEAL OR PUBLISH IT IN WHOLE OR PART  
 (4) ALL RIGHTS RESERVED