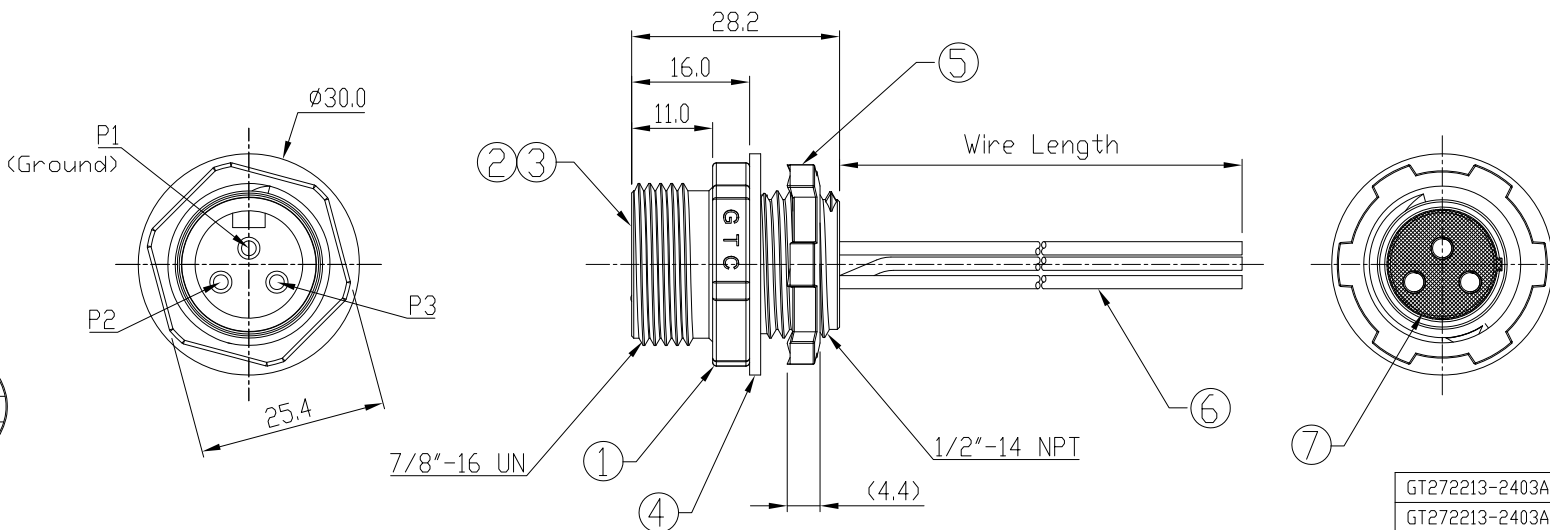


Notes: (Unless Otherwise Specified)

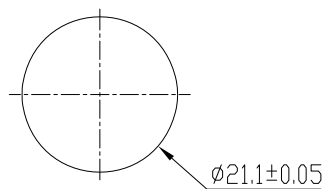
1. Waterproof Rate: IP68.
2. Recommend Panel Thickness: 0.8 To 5.0 mm.
3. Recommend Torque: 19~20 Kgf-cm.
4. RoHS Compliant.

REV	ECN#	DESCRIPTION OF REVISION	DRAW BY DATE	CHECK BY DATE	APPROVE BY DATE
01			Joyce 06/23/16	Lucas 06/23/16	Ray 06/23/16



GTC  
R&D DEPT. ISSUE  
JUN.23.2016  
ONLY FOR  
RELEASE

7	Glue	Epoxy Color: Black	
6	Wire	UL1015 18AWG, 105°C 600V Color: Green, Black, White	3
5	Hex Nut	Zinc Alloy Finish: Ni Plated	1
4	Gasket	Viton Color: Black	1
3	Contacts	Copper Alloy Finish: Au Plated	3
2	Housing	PVC Color: Black	1
1	Metal Body	Zinc Alloy Finish: Ni Plated	1
Item	Part Name	Material / Finish	Q'ty



Recommend  
Panel Cut-Out

1	Green(Ground)
2	Black
3	White

Wiring Diagram

GT272213-2403A-05	5000 mm	+150
GT272213-2403A-04	4000 mm	+150
GT272213-2403A-03	3000 mm	+100
GT272213-2403A-02	2000 mm	+100
GT272213-2403A-01	1000 mm	+50
GT272213-2403A-Z9	900 mm	+50
GT272213-2403A-Z8	800 mm	+50
GT272213-2403A-Z7	700 mm	+50
GT272213-2403A-Z6	600 mm	+50
GT272213-2403A-Z5	500 mm	+50
GT272213-2403A-Z4	400 mm	+50
GT272213-2403A-Z3	300 mm	+25
GT272213-2403A-Z2	200 mm	+25
GT272213-2403A-Z1	100 mm	+25
Part No.	Wire Length	Tol.

GT Contact CO.,LTD

NOTICE OF PROPRIETARY PROPERTY:

THE INFORMATION CONTAINED HEREIN IS THE PROPRIETARY PROPERTY OF GT Contact CO.,LTD THE POSSESSOR AGREES TO THE FOLLOWING:  
 (a) TO MAINTAIN THIS DOCUMENT IN CONFIDENCE  
 (b) NOT TO REPRODUCE OR COPY IT  
 (c) NOT TO REVEAL OR PUBLISH IT IN WHOLE OR PART  
 (d) ALL RIGHTS RESERVED

TITLE						DRAWING NUMBER			REV.
Mini 13A 3P Panel Rear Mount Male With 18# Wire						GT272213-2403A-XX			01
	B	1:1	Joyce 06/23/16	Lucas 06/23/16	Ray 06/23/16	X.X ± 0.5 X.XX ± 0.2	X.XXX ± 0.05 ANGLES ± 1°	mm	1/1
THIRD ANGLE PROJECTION	SIZE	SCALE	DRAW / DATE	CHECK / DATE	APPROVE / DATE	TOLERANCES		UNIT	SHEET