

1

2

3

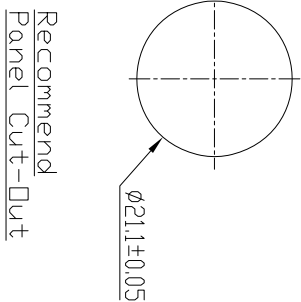
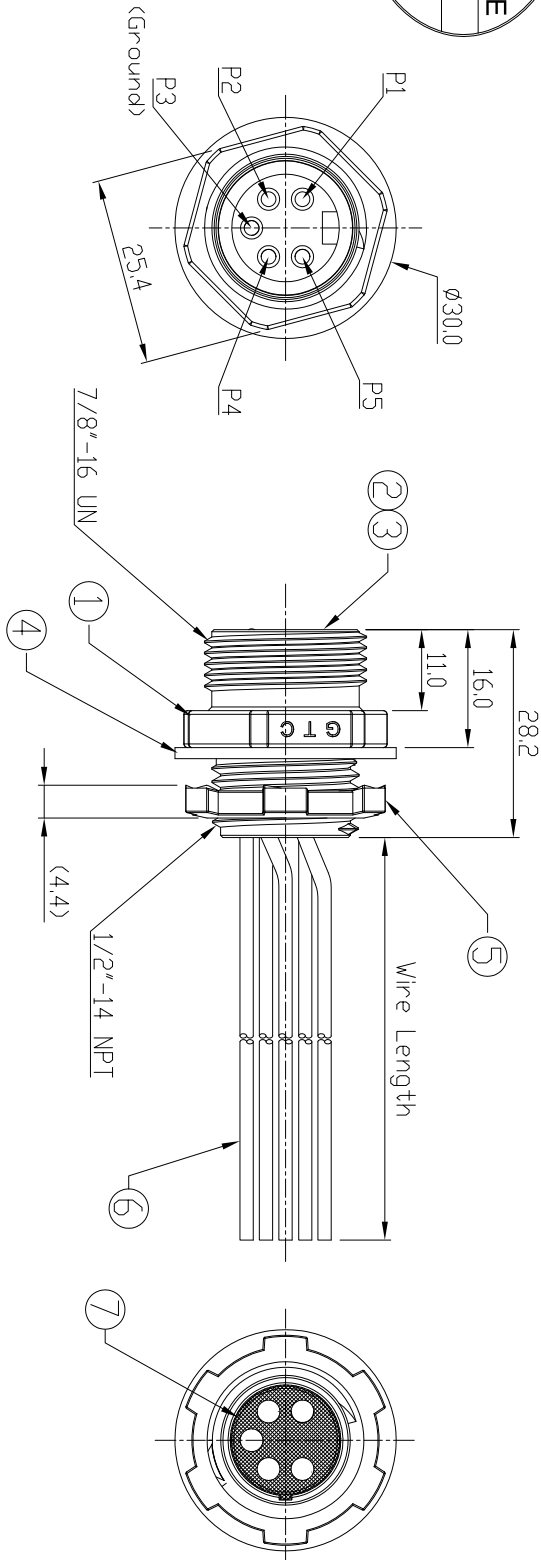
4

- Notes: (Unless Otherwise Specified)
1. Waterproof Rate: IP68.
 2. Recommend Panel Thickness: 0.8 To 5.0 mm.
 3. Recommend Torque: 19~20 Kgf-cm.
 4. RoHS Compliant.

GTC

DOC.CENTER ISSUE

JAN.27.2014
ONLY FOR
RELEASE



Recommend
Panel Cut-Out

1	White
2	Red
3	Green(Ground)
4	Orange
5	Black

GT272213-22058-05	5000 mm	±250
GT272213-22058-01	1000 mm	±40
GT272213-22058-29	900 mm	±20
GT272213-22058-28	800 mm	±20
GT272213-22058-27	700 mm	±20
GT272213-22058-26	600 mm	±20
GT272213-22058-25	500 mm	±20
GT272213-22058-24	400 mm	±10
GT272213-22058-23	300 mm	±10
GT272213-22058-22	200 mm	±10
GT272213-22058-21	100 mm	±10
Part No.	Wire Length	Tol.

7	Glue	Epoxy Color: Black	
6	Wire	UL1015 16AWG, 105°C 600V Color: White, Red, Green, Orange, Black	5
5	Hex Nut	Zinc Alloy Finish: Ni Plated	1
4	Gasket	Viton Color: Black	1
3	Contacts	Copper Alloy Finish: Au Plated	5
2	Housing	PVC Color: Black	1
1	Metal Body	Zinc Alloy Finish: Ni Plated	1
Item	Part Name	Material / Finish	Qty

TITLE Mini 8A 5P Panel Rear Mount Male With 16# Wire

DRAWING NUMBER GT272213-22058-XX REV. A2

DD NOT SCALE DRAWINGS	B	1:1	Edwin 03/15/11	Lucas 03/15/11	Roy 03/15/11	XX ± 0.5 XXX ± 0.2	XXXX ANGLES ± 1°	mm	1/1
THIRD ANGLE PROJECTION	SIZE	SCALE	DRAW / DATE	CHECK / DATE	APPROVE / DATE	TOLERANCES		UNIT	SHEET

1

2

3

4

GT Contact CD,LT D

NOTICE OF PROPRIETARY PROPERTY
THE INFORMATION CONTAINED HEREIN IS THE PROPRIETARY PROPERTY OF GT Contact CD,LT D THE POSSESSOR AGREES TO MAINTAIN THIS AGREEMENT IN CONFIDENCE AND NOT TO REPRODUCE OR PUBLISH IT IN WHOLE OR PART (C) ALL RIGHTS RESERVED