

1

2

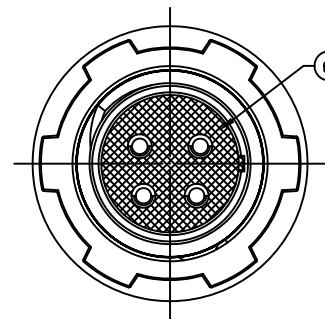
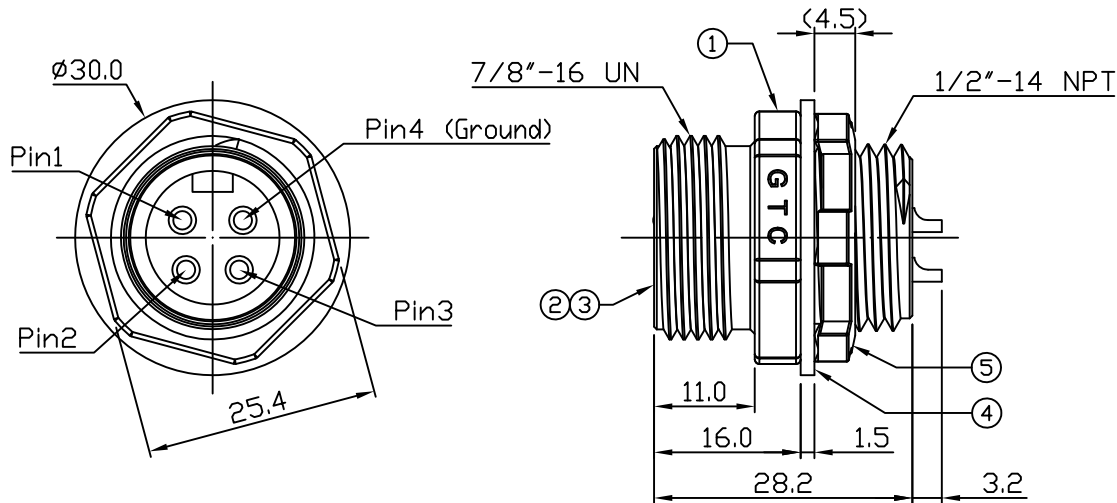
3

4

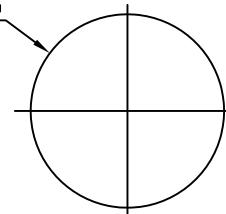
Notes: (Unless Otherwise Specified)

- 1. Waterproof Rate: IP68.
- 2. Recommend Panel Thickness: 0.8 to 5.0 mm.
- 3. Recommend Torque: 19~20 Kgf-cm.
- 4. Mating Cap P/N: GT1C7331X2
- 5. RoHS & REACH Compliant.

REV	ECN#	DESCRIPTION OF REVISION	DRAW BY DATE	CHECK BY DATE	APPROVE BY DATE
A0		Mass Production	Hank 10/12/16	Lucas 10/12/16	Ray 10/12/16



Ø21.1±0.05



Recommend Panel Cut-Out

GTC
DOC.CENTER.ISSUE
OCT.27.2016
ONLY FOR
RELEASE

6	Glue	Epoxy Color: Black	
5	Hex Nut	Zinc Alloy Finish: Ni Plated	1
4	Gasket	Viton Color: Black	1
3	Contacts	Copper Alloy Finish: Au Plated	4
2	Housing	PVC Color: Black	1
1	Metal Body	Zinc Alloy Finish: Ni Plated	1
Item	Part Name	Material / Finish	Q'ty

TITLE						DRAWING NUMBER			REV.	
Mini 10A 4P Panel Rear Mount Male Solder						GT272213-03040			A0	
	B	1:1	Hank 10/12/16	Lucas 10/12/16	Ray 10/12/16	X.X ± 0.5	X.XXX ± 0.05	mm	1/1	
THIRD ANGLE PROJECTION	SIZE	SCALE	DRAW / DATE	CHECK / DATE	APPROVE / DATE	TOLERANCES		UNIT	SHEET	

GT Contact CO.,LTD	
NOTICE OF PROPRIETARY PROPERTY:	
THE INFORMATION CONTAINED HEREIN IS THE PROPRIETARY PROPERTY OF GT Contact CO.,LTD THE POSSESSOR AGREES TO THE FOLLOWING:	
<ul style="list-style-type: none"> (1) TO MAINTAIN THIS DOCUMENT IN CONFIDENCE (2) NOT TO REPRODUCE OR COPY IT (3) NOT TO REVEAL OR PUBLISH IT IN WHOLE OR PART (4) ALL RIGHTS RESERVED 	

1

2

3

4