

1

2

3

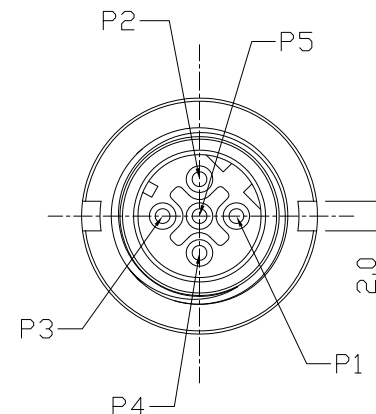
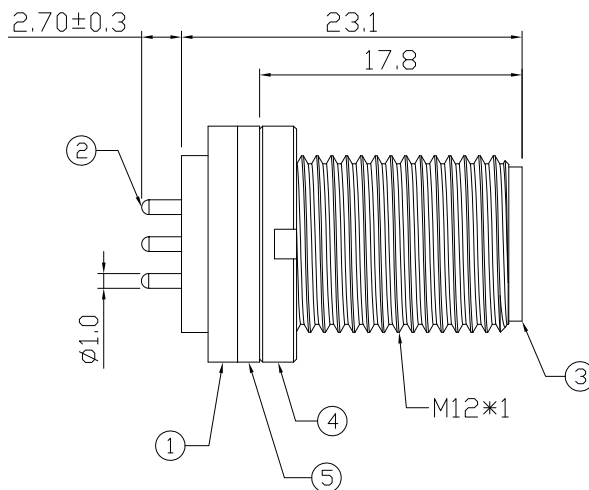
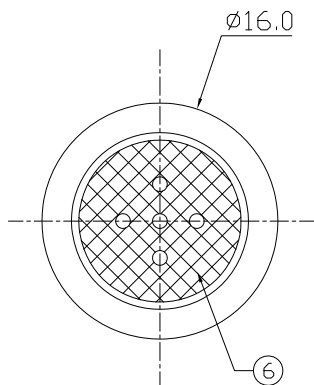
4

Notes: (Unless Otherwise Specified)

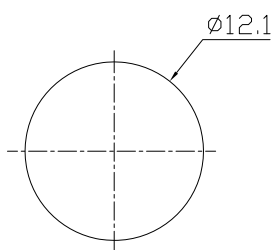
- 1. Waterproof Rate : IP68
- 2. Recommend Panel Thickness: 0.8 to 5.0 mm
- 3. Recommend Torque: 14~15 Kgf-cm
- 4. RoHS Compliant.



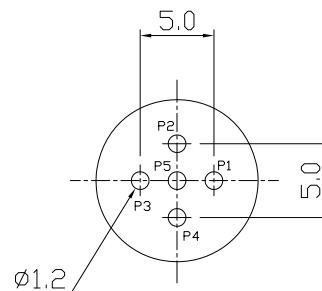
REV	ECN#	DESCRIPTION OF REVISION	DRAW BY DATE	CHECK BY DATE	APPROVE BY DATE
02	ECN-200821	Change Torque Of Screw Tightening: 9~10 kgf/cm → 14~15 kgf/cm.	Aileen 09/07/20	Lucas 09/07/20	Ray 09/07/20



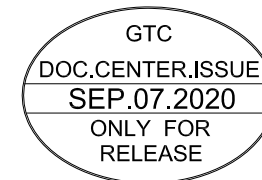
6	Glue	Epoxy Color: Black	
5	Gasket	NBR Color: Black	1
4	Spanner Nut	Copper Alloy Finish: Ni Plated	1
3	Housing	Thermoplastic Color: Black	1
2	Contacts	Copper Alloy Finish: Au Plated	5
1	Shielding Case	Copper Alloy Finish: Ni Plated	1
Item	Part Name	Material / Finish	Q'ty



Recommend Panel Cut-Out



Recommend PCB Layout



TITLE						DRAWING NUMBER			REV.
M12 D-Coding 4A 5P Panel Male Dip With Spanner Nut						GT271410-11050(S)			02
	B	1:1	Lucas 01/17/19	Lucas 01/17/19	Ray 01/17/19	X.X ± 0.5 X.XX ± 0.2	X.XXX ± 0.05 ANGLES ± 1°	mm	1/1
THIRD ANGLE PROJECTION	SIZE	SCALE	DRAW / DATE	CHECK / DATE	APPROVE / DATE	TOLERANCES		UNIT	SHEET

GT Contact CO.,LTD

NOTICE OF PROPRIETARY PROPERTY:
THE INFORMATION CONTAINED HEREIN IS THE PROPRIETARY PROPERTY OF GT Contact CO.,LTD THE POSSESSOR AGREES TO THE FOLLOWING:
(a) TO MAINTAIN THIS DOCUMENT IN CONFIDENCE
(b) NOT TO REPRODUCE OR COPY IT
(c) NOT TO REVEAL OR PUBLISH IT IN WHOLE OR PART
(d) ALL RIGHTS RESERVED

1

2

3

4