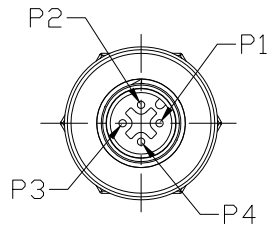


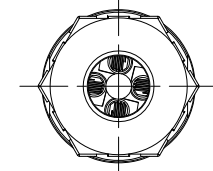
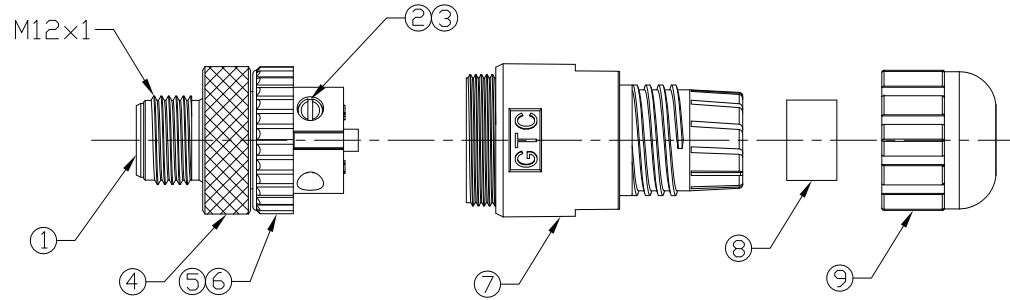
Notes: (Unless Otherwise Specified)

1. Waterproof Rate: IP68
2. Suitable Cable $\text{OD} = 5.0\text{mm}$ to 8.0mm
3. Recommend Cover Torque: $6\sim 7 \text{ Kgf-cm}$.
4. Recommend Gland Nut Torque: $10\sim 11 \text{ Kgf-cm}$.
5. RoHS Compliant.

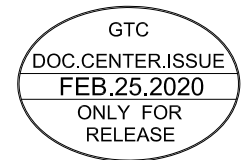
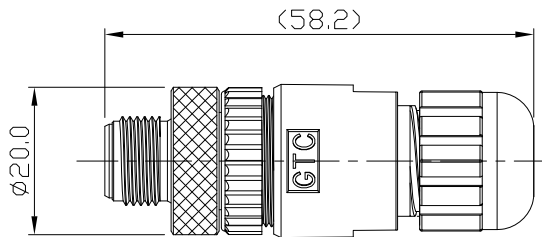
REV	ECN#	DESCRIPTION OF REVISION	DRAW BY DATE	CHECK BY DATE	APPROVE BY DATE
A1	ECN-200215	Modify Housing	Whitney 02/25/20	Lucas 02/25/20	Ray 02/25/20



Pin Assignment



9	Gland Nut	Thermoplastic Color: Black	1
8	Gland	NBR Color: Black	1
7	Cover	Thermoplastic Color: Black	1
6	D-Ring	Silicone Color: Black	1
5	Screw Nut	Thermoplastic Color: Black	1
4	Screw Nut	Copper Alloy Finish: Ni Plated	1
3	Machine Screw	Cutting Iron Finish: Ni Plated	4
2	Contacts	Copper Alloy Finish: Ni Plated	4
1	Housing	Thermoplastic Color: Black	1
Item	Part Name	Material / Finish	Q'TY



TITLE						DRAWING NUMBER			REV.		
Micro 4A 4P Field Installable Cable End Male Screw-In						GT271154-31040			A1		
	B	1:1	Edwin 01/09/12	Lucas 01/09/12	Ray 01/09/12	X.X X.XX	± 0.5 ± 0.2	X.XXX ANGLES	± 0.05 $\pm 1^\circ$	mm	1/1
THIRD ANGLE PROJECTION	SIZE	SCALE	DRAW / DATE	CHECK / DATE	APPROVE / DATE	TOLERANCES			UNIT	SHEET	

GT Contact CO.,LTD

NOTICE OF PROPRIETARY PROPERTY:
THE INFORMATION CONTAINED HEREIN IS THE PROPRIETARY PROPERTY OF GT Contact CO.,LTD THE POSSESSOR AGREES TO THE FOLLOWING:
(a) TO MAINTAIN THIS DOCUMENT IN CONFIDENCE
(b) NOT TO REPRODUCE OR COPY IT
(c) NOT TO REVEAL OR PUBLISH IT IN WHOLE OR PART
(d) ALL RIGHTS RESERVED