

1

2

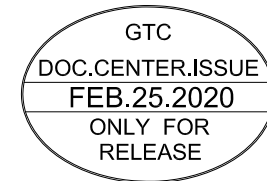
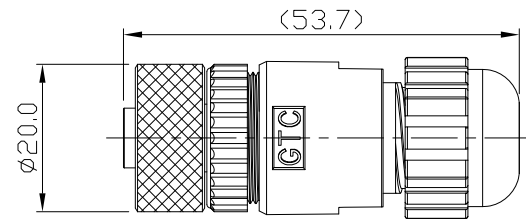
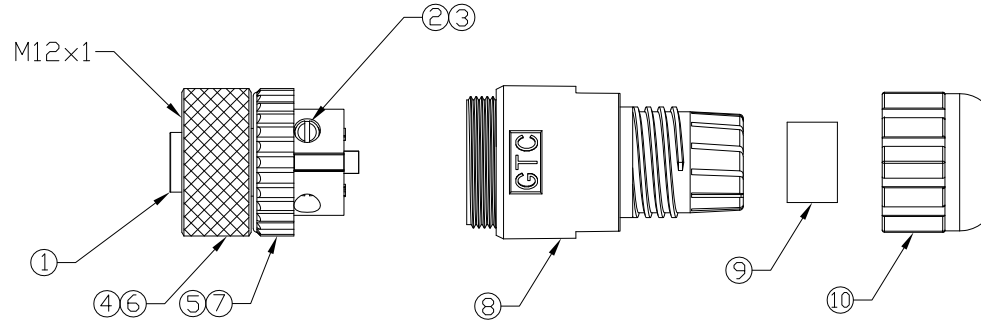
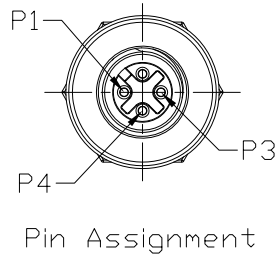
3

4

Notes: (Unless Otherwise Specified)

- 1. Waterproof Rate: IP68
- 2. Suitable Cable \varnothing = 5.0mm to 8.0mm
- 3. Recommend Cover Torque: 6~7 Kgf-cm.
- 4. Recommend Gland Nut Torque: 10~11 Kgf-cm.
- 5. RoHS Compliant.

REV	ECN#	DESCRIPTION OF REVISION	DRAW BY DATE	CHECK BY DATE	APPROVE BY DATE
A1	ECN-200215	Modify Housing	Whitney 02/25/20	Lucas 02/25/20	Ray 02/25/20



10	Gland Nut	Thermoplastic Color: Black	1
9	Gland	NBR Color: Black	1
8	Cover	Thermoplastic Color: Black	1
7	D-Ring	Silicone Color: Black	1
6	D-Ring	Viton Color: Black	1
5	Screw Nut	Thermoplastic Color: Black	1
4	Screw Nut	Copper Alloy Finish: Ni Plated	1
3	Machine Screw	Cutting Iron Finish: Ni Plated	3
2	Contacts	Copper Alloy Finish: Ni Plated	3
1	Housing	Thermoplastic Color: Black	1
Item	Part Name	Material / Finish	Q'TY

GT Contact CO.,LTD

NOTICE OF PROPRIETARY PROPERTY:

THE INFORMATION CONTAINED HEREIN IS THE PROPRIETARY PROPERTY OF GT Contact CO.,LTD THE POSSESSOR AGREES TO THE FOLLOWING:
 (a) TO MAINTAIN THIS DOCUMENT IN CONFIDENCE
 (b) NOT TO REPRODUCE OR COPY IT
 (c) NOT TO REVEAL OR PUBLISH IT IN WHOLE OR PART
 (d) ALL RIGHTS RESERVED

TITLE						DRAWING NUMBER			REV.
Micro 4A 3P Field Installable Cable End Female Screw-In						GT271144-31030			A1
	B	1:1	Edwin 12/07/12	Lucas 12/07/12	Ray 12/07/12	X.X ± 0.5 X.XX ± 0.2	X.XXX ± 0.05 ANGLES ± 1°	mm	1/1
THIRD ANGLE PROJECTION	SIZE	SCALE	DRAW / DATE	CHECK / DATE	APPROVE / DATE	TOLERANCES		UNIT	SHEET

1

2

3

4