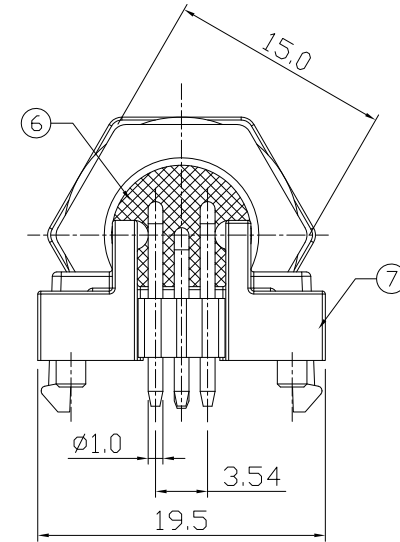
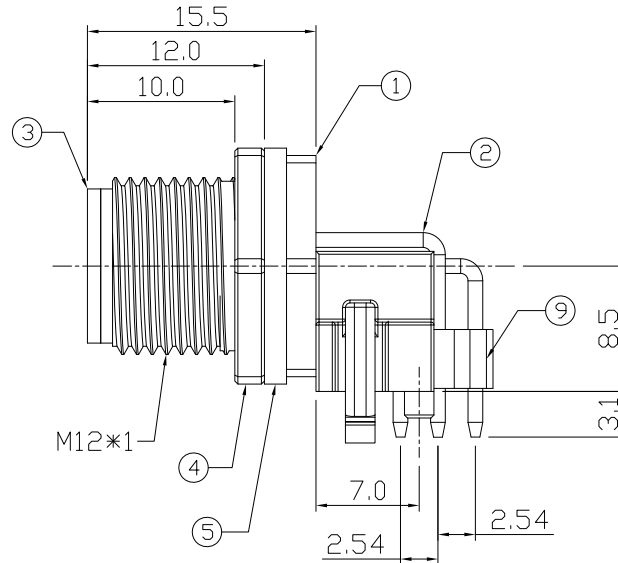
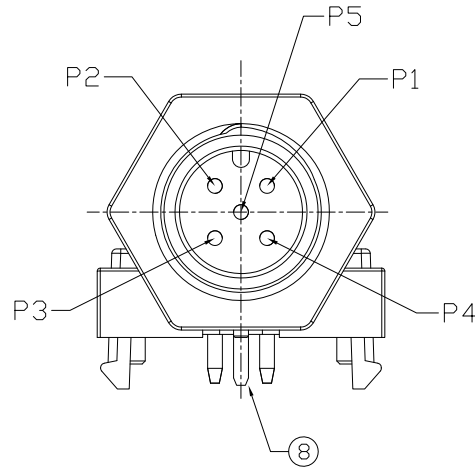


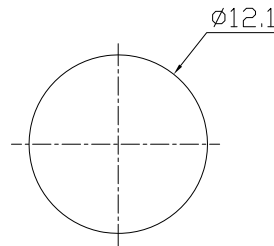
Notes: (Unless Otherwise Specified)

1. Waterproof Rate : IP68
2. Recommend Panel Thickness: 0.8 to 1.5 mm
- ⚠️ 3. Recommend Torque: 14~15 Kgf-cm
4. RoHS Compliant.

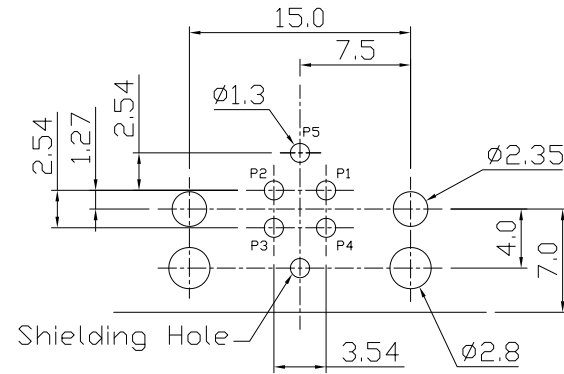
REV	ECN#	DESCRIPTION OF REVISION	DRAW BY DATE	CHECK BY DATE	APPROVE BY DATE
A1	ECN-200821	Change Torque Of Screw Tightening: 9~10 kgf/cm → 14~15 kgf/cm.	Aileen 09/01/20	Lucas 09/01/20	Ray 09/01/20



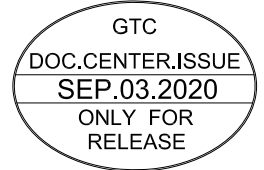
Item	Part Name	Material / Finish	Qty
9	Positioning	Silicone Color: Black	1
8	Shielding shell	Copper Alloy Finish: Sn	1
7	Support	Thermoplastic Color: Black	1
6	Glue	Epoxy Color: Black	
5	Gasket	NBR Color: Black	1
4	Hex Nut	Copper Alloy Finish: Ni Plated	1
3	Housing	Thermoplastic Color: Black	1
2	Contacts	Copper Alloy Finish: Au Plated	5
1	Shielding Case	Copper Alloy Finish: Ni Plated	1



Recommend
Panel Cut-Out



Recommend PCB Layout
Thickness of PCB: 1.6mm



GT Contact CO.,LTD

NOTICE OF PROPRIETARY PROPERTY:
THE INFORMATION CONTAINED HEREIN IS THE PROPRIETARY PROPERTY OF GT Contact CO.,LTD THE POSSESSOR AGREES TO THE FOLLOWING:
(A) TO MAINTAIN THIS DOCUMENT IN CONFIDENCE
(B) NOT TO REPRODUCE OR COPY IT
(C) NOT TO REVEAL OR PUBLISH IT IN WHOLE OR PART
(D) ALL RIGHTS RESERVED

TITLE						DRAWING NUMBER			REV.
M12 4A 5P Panel Male Shielding Dip 90°						GT271112-41050			A1
THIRD ANGLE PROJECTION	SIZE	SCALE	DRAW / DATE	CHECK / DATE	APPROVE / DATE	TOLERANCES	UNIT	SHEET	
	B	1:1	Lucas 09/06/19	Lucas 09/06/19	Ray 09/06/19	X.X ± 0.5 X.XX ± 0.2	mm	1/1	
						X.XXX ± 0.05 ANGLES ± 1°			