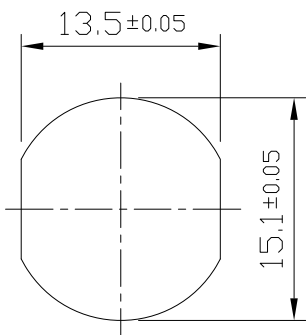


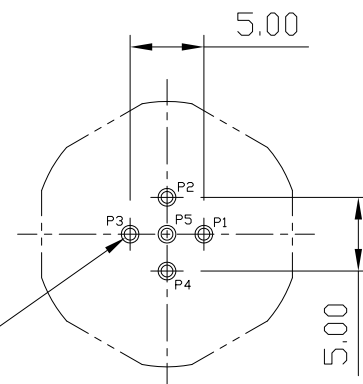
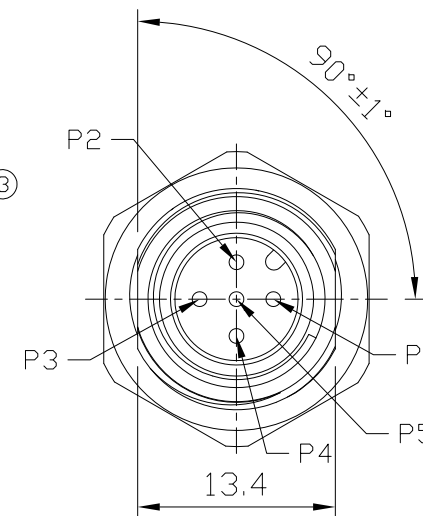
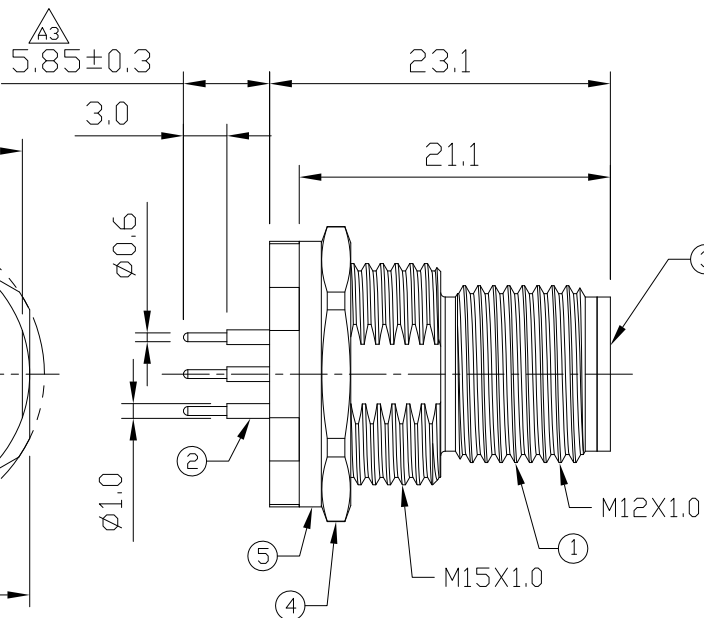
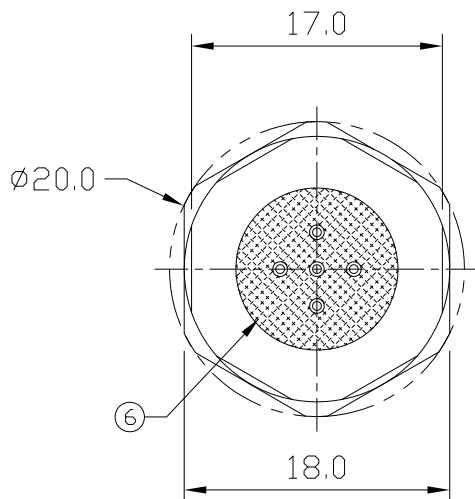
Notes: (Unless Otherwise Specified)

- 1. WaterProof Rate : IP68
- 2. Recommend Panel Thickness: 0.8 to 5.0 mm
- 3. Recommend Torque: 14~15 Kgf-cm
- 4. Durability: 100 Cycles Min.
- 5. DWV: 1000 Vrms
- 6. Rated Voltage: 60V AC/DC
- 7. Insulation Resistance: 100 MΩ Min.
- 8. RoHS Compliant.

REV	ECN#	DESCRIPTION OF REVISION	DRAW BY DATE	CHECK BY DATE	APPROVE BY DATE
A3	ECN-230101	Marked Modify Dimensions: 6.0mm --> 5.85mm+/-0.3mm	Hank 01/06/23	Lucas 01/06/23	Ray 01/06/23



Recommend Panel Cut-Out



Recommend PCB Layout

6	Glue	Epoxy Color: Black	
5	Gasket	NBR Color: Black	1
4	Hex Nut	Copper Alloy Finish: Ni Plated	1
3	Housing	Thermoplastic Color: Black	1
2	Contacts	Copper Alloy Finish: Au Plated	5
1	Shielding Case	Copper Alloy Finish: Ni Plated	1
Item	Part Name	Material / Finish	Q'ty



GT Contact CO.,LTD

NOTICE OF PROPRIETARY PROPERTY:
 THE INFORMATION CONTAINED HEREIN IS THE PROPRIETARY PROPERTY OF GT Contact CO.,LTD THE POSSESSOR AGREES TO THE FOLLOWING:
 (a) TO MAINTAIN THIS DOCUMENT IN CONFIDENCE
 (b) NOT TO REPRODUCE OR COPY IT
 (c) NOT TO REVEAL OR PUBLISH IT IN WHOLE OR PART
 (d) ALL RIGHTS RESERVED

TITLE						DRAWING NUMBER			REV.
Micro 4A 5P Panel Male Dip						GT271112-11050			A3
	B	1:1	Edwin 03/13/12	Lucas 03/13/12	Ray 03/13/12	X.X ± 0.5 X.XX ± 0.2	X.XXX ± 0.05 ANGLES ± 1°	mm	1/1
THIRD ANGLE PROJECTION	SIZE	SCALE	DRAW / DATE	CHECK / DATE	APPROVE / DATE	TOLERANCES		UNIT	SHEET