

1

2

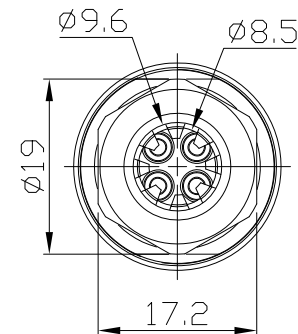
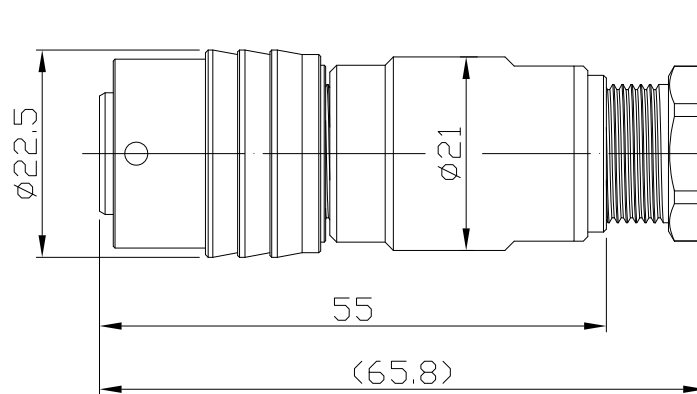
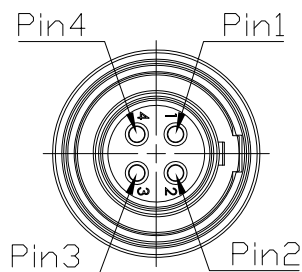
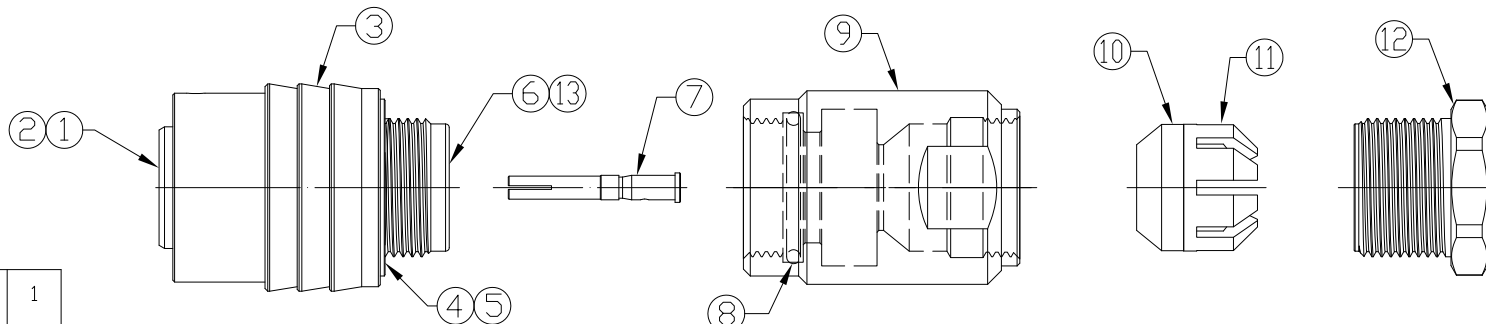
3

4

Notes: (Unless otherwise Specified)

- 1. Waterproof Rate : IP68
- 2. Cable Diameter: 6.0 to 8.5 mm Δ_2
- 3. Recommend Cover Torque: 9~10 Kgf-cm
- 4. Recommend Gland Nut Torque: 9~10 Kgf-cm
- 5. RoHS Compliant

GTC
DOC.CENTER.ISSUE
MAR.06.2019
ONLY FOR
RELEASE



13	C-Ring	SUS304 Finish: -	1
12	Metal Gland Nut	Copper Alloy Finish: Ni Plated	1
11	Cage	Thermoplastic Color: White	1
10	Gland	Silicone Color: Red	1
9	Metal Cover	Copper Alloy Finish: Ni Plated	1
8	O-Ring	Silicone Color: Gray	1
7	Contacts	Copper Alloy Finish: Au Plated	4
6	Base	Thermoplastic Color: Black	1
5	Metal Holder	Copper Alloy Finish: Ni Plated	1
4	Spring	SUS304 Finish:-	1
3	Metal Push Nut	Copper Alloy Finish: Ni Plated	1
2	Housing	Thermoplastic Color: Black	1
1	Metal Body	Copper Alloy Finish: Ni Plated	1
Item	Part Name	Material / Finish	Q'ty

TITLE: Push Lock S3 10A 4P Field Installable Cable End Female Crimp

DRAWING NUMBER: GT261310-14043

REV. A2

THIRD ANGLE PROJECTION	SIZE: B	SCALE: 1:1	DRAW / DATE: Hank 02/22/13	CHECK / DATE: Ray 02/22/13	APPROVE / DATE: Ray 02/22/13	TOLERANCES: X.X ± 0.5, X.XX ± 0.2, X.XXX ± 0.05, ANGLES ± 1°	UNIT: mm	SHEET: 1/1
------------------------	---------	------------	----------------------------	----------------------------	------------------------------	--	----------	------------

GT Contact CO.,LTD

NOTICE OF PROPRIETARY PROPERTY:
THE INFORMATION CONTAINED HEREIN IS THE PROPRIETARY PROPERTY OF GT Contact CO.,LTD THE POSSESSOR AGREES TO THE FOLLOWING:
(a) TO MAINTAIN THIS DOCUMENT IN CONFIDENCE
(b) NOT TO REPRODUCE OR COPY IT
(c) NOT TO REVEAL OR PUBLISH IT IN WHOLE OR PART
(d) ALL RIGHTS RESERVED

1

2

3

4