

1

2

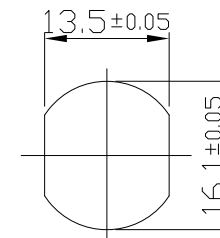
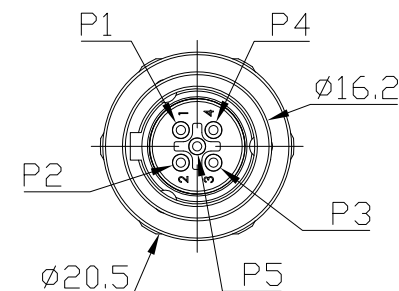
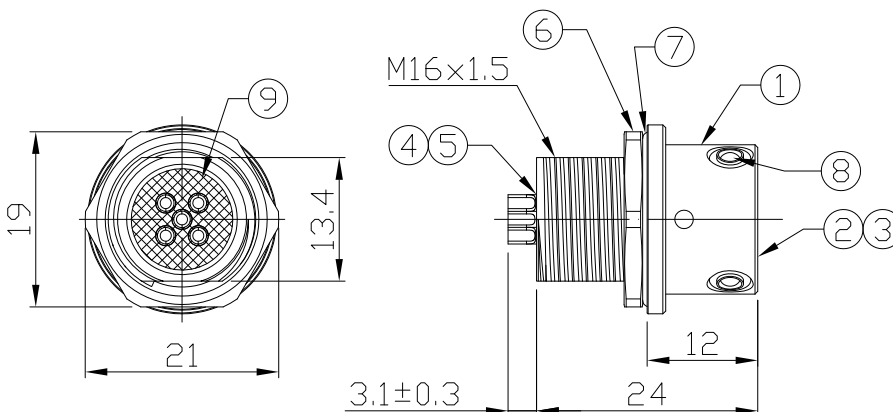
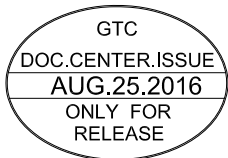
3

4

Notes: (Unless Otherwise Specified)

- 1. Waterproof Rate: IP68
- 2. Recommend Panel Thickness: 0.8 to 8.0 mm
- 3. Recommend Torque: 9~10 Kgf-cm
- 4. Durability: 100 Cycles Min.
- 5. DWV: 1000 Vrms
- 6. Rated Voltage: 60V AC/DC
- 7. Insulation Resistance: 100 MΩ Min.
- 8. RoHS Compliant.

REV	ECN#	DESCRIPTION OF REVISION	DRAW BY DATE	CHECK BY DATE	APPROVE BY DATE
A0		Mass Production	Hank 08/25/16	Lucas 08/25/16	Ray 08/25/16



Recommended Panel Cut-Out

Item	Part Name	Material / Finish	Q'ty
9	Glue	Epoxy Color: Black	
8	Metal Ball	SUS Finish:-	3
7	O-Ring	Silicone Color: Gray	1
6	Metal Hex Nut	Copper Alloy Finish: Ni Plated	1
5	Contacts	Copper Alloy Finish: Au Plated	5
4	Base	Thermoplastic Color: Black	1
3	O-Ring	Silicone Color: Gray	1
2	Housing	Thermoplastic Color: Black	1
1	Metal Body	Copper Alloy Finish: Ni Plated	1

TITLE						DRAWING NUMBER			REV.
Push Lock S2 4A 5P Panel Rear Mount Male Solder						GT261201-03050			A0
THIRD ANGLE PROJECTION	SIZE	SCALE	DRAW / DATE	CHECK / DATE	APPROVE / DATE	TOLERANCES	UNIT	SHEET	
	B	1:1	Joyce 07/05/16	Lucas 07/05/16	Ray 07/05/16	X.X ± 0.5 X.XX ± 0.2	mm	1/1	
						X.XXX ± 0.05 ANGLES ± 1°			

GT Contact CO.,LTD

NOTICE OF PROPRIETARY PROPERTY:

THE INFORMATION CONTAINED HEREIN IS THE PROPRIETARY PROPERTY OF GT Contact CO.,LTD THE POSSESSOR AGREES TO THE FOLLOWING:

- (a) TO MAINTAIN THIS DOCUMENT IN CONFIDENCE
- (b) NOT TO REPRODUCE OR COPY IT
- (c) NOT TO REVEAL OR PUBLISH IT IN WHOLE OR PART
- (d) ALL RIGHTS RESERVED

1

2

3

4