

1

2

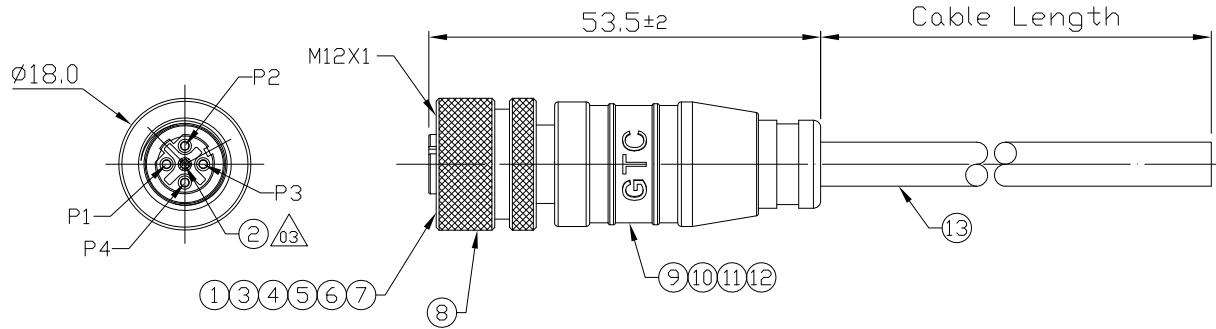
3

4

Notes: (Unless Otherwise Specified)

1. WaterProof Rate: IP68.
2. Durability: 100 Cycles Min.
3. DWV: 1400 Vrms.
4. Rated Voltage: 250V AC/DC.
5. Insulation Resistance: 100 MΩ MIN.
6. RoHS Compliant.

| REV | ECN# | DESCRIPTION OF REVISION | DRAW BY DATE | CHECK BY DATE | APPROVE BY DATE |
|-----|------------|--|---------------|----------------|-----------------|
| 03 | ECN-210415 | Modify Material Item No.2 Base --> Gland Pin | Hank 04/26/21 | Lucas 04/26/21 | Ray 04/26/21 |



| | |
|-------|--------|
| 1 | Black |
| 2 | Brown |
| 3 | Red |
| 4 | Orange |
| Shell | Drain |

Wiring Diagram

| | | | | | | | |
|---|----------------------|-----------------------------------|---|----|-------------|---|---|
| 7 | Spring | SUS 304 | 1 | | | | |
| 6 | Metal Shielded Gland | Copper Alloy Finish: Ni Plated | 1 | 13 | Cable | UL2464 22AWG*4C+Al/My+B+D Color: Black, ØD=6.0mm | 1 |
| 5 | Metal Shielded Bush | Copper Alloy Finish: Sn Plated | 1 | 12 | Over Mold | PVC Color: Black | 1 |
| 4 | O-Ring | Silicone Color: Red | 1 | 11 | Inner Mold | Thermoplastic Color: White Or Black | 1 |
| 3 | Contacts | Copper Alloy Finish: Au Plated | 4 | 10 | Shrink Tube | L=10mm Color: Black | 4 |
| 2 | Gland Pin | Thermoplastic Color: Black | 1 | 9 | Glue | Epoxy Color: Black | |
| 1 | Housing | Thermoplastic Color: Black | 1 | 8 | Screw Nut | Copper Alloy Finish: Ni Plated | 1 |

| | | |
|-------------------|--------------|------|
| GT2384A4-02041-10 | 10000 mm | ±500 |
| GT2384A4-02041-09 | 9000 mm | ±450 |
| GT2384A4-02041-08 | 8000 mm | ±400 |
| GT2384A4-02041-07 | 7000 mm | ±350 |
| GT2384A4-02041-06 | 6000 mm | ±300 |
| GT2384A4-02041-05 | 5000 mm | ±250 |
| GT2384A4-02041-04 | 4000 mm | ±200 |
| GT2384A4-02041-03 | 3000 mm | ±150 |
| GT2384A4-02041-02 | 2000 mm | ±100 |
| GT2384A4-02041-01 | 1000 mm | ±50 |
| GT2384A4-02041-Z9 | 900 mm | ±40 |
| GT2384A4-02041-Z8 | 800 mm | ±40 |
| GT2384A4-02041-Z7 | 700 mm | ±40 |
| GT2384A4-02041-Z6 | 600 mm | ±40 |
| GT2384A4-02041-Z5 | 500 mm | ±40 |
| GT2384A4-02041-Z4 | 400 mm | ±20 |
| GT2384A4-02041-Z3 | 300 mm | ±20 |
| GT2384A4-02041-Z2 | 200 mm | ±10 |
| Part No. | Cable Length | Tol. |

GT Contact CO.,LTD

NOTICE OF PROPRIETARY PROPERTY:
THE INFORMATION CONTAINED HEREIN IS THE PROPRIETARY PROPERTY OF GT Contact CO.,LTD THE POSSESSOR AGREES TO THE FOLLOWING:
(i) TO MAINTAIN THIS DOCUMENT IN CONFIDENCE
(ii) NOT TO REPRODUCE OR COPY IT
(iii) NOT TO REVEAL OR PUBLISH IT IN WHOLE OR PART
(iv) ALL RIGHTS RESERVED

| TITLE | | | | | | DRAWING NUMBER | | | REV. | |
|---|------|-------|-------------|--------------|----------------|-------------------|--------------|----|-------|--|
| M12 D-Coding 4A 4P Shielded Cable End Without SR Female | | | | | | GT2384A4-02041-XX | | | 03 | |
| THIRD ANGLE PROJECTION | SIZE | SCALE | DRAW / DATE | CHECK / DATE | APPROVE / DATE | X.X ± 0.5 | X.XXX ± 0.05 | mm | 1/1 | |
| | | | | | | X.XX ± 0.2 | ANGLES ± 1° | | SHEET | |

1

2

3

4