

1

2

3

4

Notes: (Unless Otherwise Specified)

- 1. Waterproof Rate: IP68.
- 2. Durability: 100 Cycles Min.
- 3. DWV: 1400 Vrms.
- 4. Rated Voltage: 250V AC/DC.
- 5. Insulation Resistance: 100 MΩ MIN.
- 6. RoHS Compliant.

REV	ECN#	DESCRIPTION OF REVISION	DRAW BY DATE	CHECK BY DATE	APPROVE BY DATE
02	ECN-180815	Modify Item No.6 Spring Material: SUS 302 --> SUS 304	Hank 08/13/18	Lucas 08/13/18	Ray 08/13/18

D

C

B

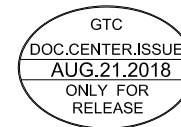
A

D

C

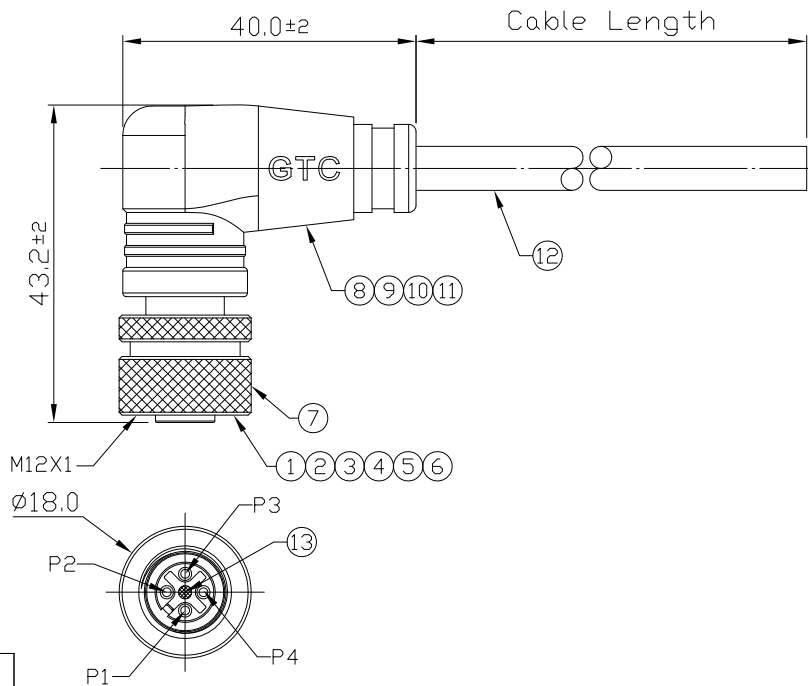
B

A



1	Black
2	Brown
3	Red
4	Orange
Shell	Drain

Wiring Diagram



GT2381A5-02041-10	10000 mm	±500
GT2381A5-02041-09	9000 mm	±450
GT2381A5-02041-08	8000 mm	±400
GT2381A5-02041-07	7000 mm	±150
GT2381A5-02041-06	6000 mm	±150
GT2381A5-02041-05	5000 mm	±150
GT2381A5-02041-04	4000 mm	±150
GT2381A5-02041-03	3000 mm	±150
GT2381A5-02041-02	2000 mm	±100
GT2381A5-02041-01	1000 mm	±50
GT2381A5-02041-Z9	900 mm	±40
GT2381A5-02041-Z8	800 mm	±40
GT2381A5-02041-Z7	700 mm	±40
GT2381A5-02041-Z6	600 mm	±40
GT2381A5-02041-Z5	500 mm	±40
GT2381A5-02041-Z4	400 mm	±20
GT2381A5-02041-Z3	300 mm	±20
GT2381A5-02041-Z2	200 mm	±10
Part No.	Cable Length	Tol.

7	Screw Nut	Copper Alloy Finish: Ni Plated	1				
6	Spring	SUS 304	1	13	Gland Pin	Thermoplastic Color: Black	
5	Metal Shielded Gland	Copper Alloy Finish: Ni Plated	1	12	Cable	UL2464 22AWG*4C+Al/My+B+D Color: Black, ØD=6.0mm	
4	Metal Shielded Bush	Copper Alloy Finish: Sn Plated	1	11	Over Mold	PVC Color: Black	
3	O-Ring	Silicone Color: Red	1	10	Inner Mold	Thermoplastic Color: White Or Black	
2	Contacts	Copper Alloy Finish: Au Plated	4	9	Shrink Tube	L=10mm Color: Black	
1	Housing	Thermoplastic Color: Black	1	8	Glue	Epoxy Color: Black	
Item	Part Name	Material / Finish	Q'ty	Item	Part Name	Material / Finish	Q'ty

TITLE M12 A-Coding 4A 4P Shielded Cable End 90° Without SR Female						DRAWING NUMBER GT2381A5-02041-XX			REV. 02	
	B	1:1	Joyce 07/17/15	Lucas 07/17/15	Ray 07/17/15	X.X ± 0.5	X.XXX ± 0.05	mm	1/1	
THIRD ANGLE PROJECTION	SIZE	SCALE	DRAW / DATE	CHECK / DATE	APPROVE / DATE	TOLERANCES		UNIT	SHEET	

GT Contact CO.,LTD

NOTICE OF PROPRIETARY PROPERTY:
 THE INFORMATION CONTAINED HEREIN IS THE PROPRIETARY PROPERTY OF GT Contact CO.,LTD THE POSSESSOR AGREES TO THE FOLLOWING:
 (i) TO MAINTAIN THIS DOCUMENT IN CONFIDENCE
 (ii) NOT TO REPRODUCE OR COPY IT
 (iii) NOT TO REVEAL OR PUBLISH IT IN WHOLE OR PART
 (iv) ALL RIGHTS RESERVED

1

2

3

4