

1

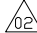
2

3

4

Notes: (Unless Otherwise Specified)

- 1. Waterproof Rate: IP68.
- 2. Durability: 100 Cycles Min.
- 3. DWV: 1000 Vrms.
- 4. Rated Voltage: 60V AC/DC.
- 5. Insulation Resistance: 100 MΩ MIN.
- 6. RoHS Compliant.

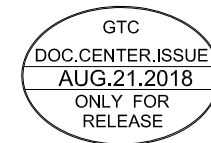
REV	ECN#	DESCRIPTION OF REVISION	DRAW BY DATE	CHECK BY DATE	APPROVE BY DATE
02	ECN-180815	 Modify Item No.6 Spring Material: SUS 302 --> SUS 304	Hank 08/13/18	Lucas 08/13/18	Ray 08/13/18

D

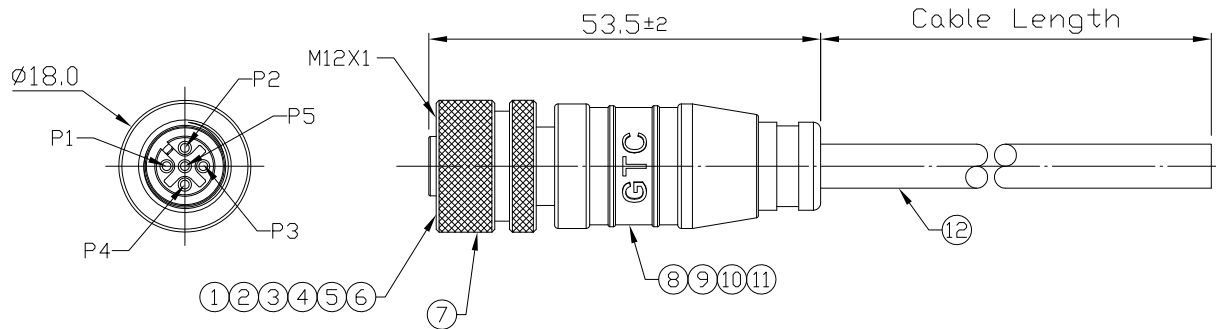
D

C

C



1	Black
2	Brown
3	Red
4	Orange
5	Yellow
Shell	Drain



Wiring Diagram

B

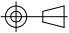
B

6	Spring	SUS 304 	1	12	Cable	UL2464 22AWG*5C+Al/My+B+D Color: Black, OD=6.0mm	1
5	Metal Shielded Gland	Copper Alloy Finish: Ni Plated	1	11	Over Mold	PVC Color: Black	1
4	Metal Shielded Bush	Copper Alloy Finish: Sn Plated	1	10	Inner Mold	Thermoplastic Color: White Or Black	1
3	O-Ring	Silicone Color: Red	1	9	Shrink Tube	L=10mm Color: Black	5
2	Contacts	Copper Alloy Finish: Au Plated	5	8	Glue	Epoxy Color: Black	
1	Housing	Thermoplastic Color: Black	1	7	Screw Nut	Copper Alloy Finish: Ni Plated	1

GT2381A4-02051-10	10000 mm	±500
GT2381A4-02051-09	9000 mm	±450
GT2381A4-02051-08	8000 mm	±400
GT2381A4-02051-07	7000 mm	±150
GT2381A4-02051-06	6000 mm	±150
GT2381A4-02051-05	5000 mm	±150
GT2381A4-02051-04	4000 mm	±150
GT2381A4-02051-03	3000 mm	±150
GT2381A4-02051-02	2000 mm	±100
GT2381A4-02051-01	1000 mm	±50
GT2381A4-02051-Z9	900 mm	±40
GT2381A4-02051-Z8	800 mm	±40
GT2381A4-02051-Z7	700 mm	±40
GT2381A4-02051-Z6	600 mm	±40
GT2381A4-02051-Z5	500 mm	±40
GT2381A4-02051-Z4	400 mm	±20
GT2381A4-02051-Z3	300 mm	±20
GT2381A4-02051-Z2	200 mm	±10
Part No.	Cable Length	Tol.

A

A

TITLE						DRAWING NUMBER			REV.	
M12 A-Coding 4A 5P Shielded Cable End Without SR Female						GT2381A4-02051-XX			02	
	B	1:1	Joyce 09/24/14	Lucas 09/24/14	Ray 09/24/14	X.X ± 0.5	X.XXX ± 0.05	mm	1/1	
THIRD ANGLE PROJECTION	SIZE	SCALE	DRAW / DATE	CHECK / DATE	APPROVE / DATE	TOLERANCES		UNIT	SHEET	

GT Contact CO.,LTD

NOTICE OF PROPRIETARY PROPERTY:
THE INFORMATION CONTAINED HEREIN IS THE PROPRIETARY PROPERTY OF GT Contact CO.,LTD THE POSSESSOR AGREES TO THE FOLLOWING:
(i) TO MAINTAIN THIS DOCUMENT IN CONFIDENCE
(ii) NOT TO REPRODUCE OR COPY IT
(iii) NOT TO REVEAL OR PUBLISH IT IN WHOLE OR PART
(iv) ALL RIGHTS RESERVED

1

2

3

4