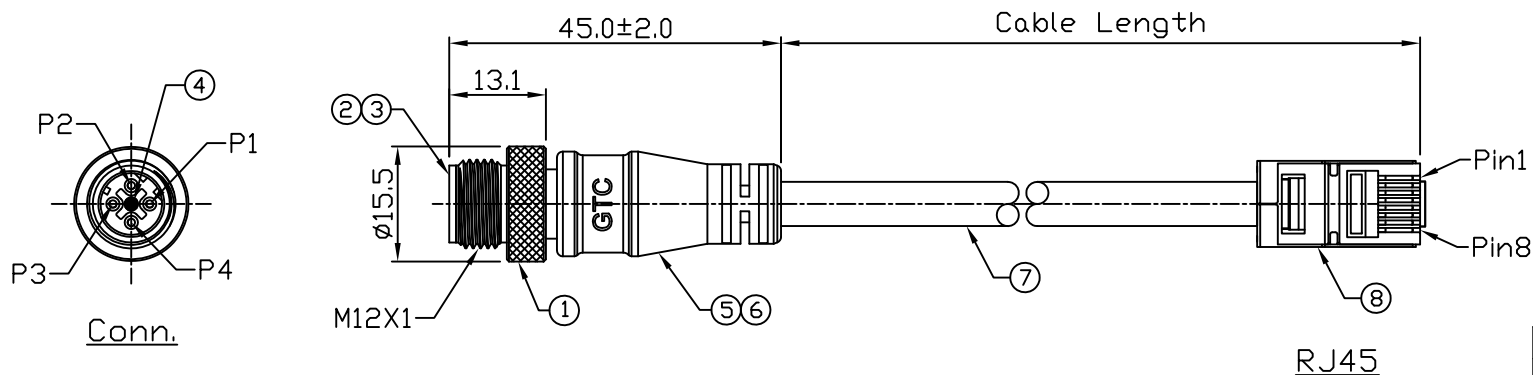


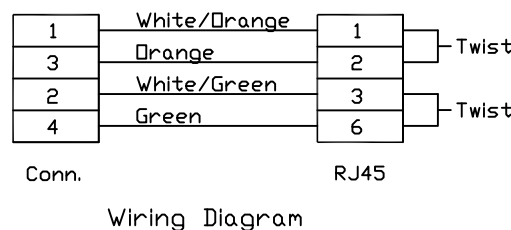
Notes: (Unless Otherwise Specified)  
 1. WaterProof Rate: IP68  
 2. RoHS Compliant.

REV	ECN#	DESCRIPTION OF REVISION	DRAW BY DATE	CHECK BY DATE	APPROVE BY DATE
A2	ECN-191104	GT234434-22046-XX=>GT234434-2204P-XX	Lucas 11/11/19	Lucas 11/11/19	Ray 11/11/19



GTC  
 DOC.CENTER.ISSUE  
 NOV.12.2019  
 ONLY FOR  
 RELEASE

Part No.	Cable Length	Tol.
GT234434-2204P-10	10000 mm	+500
GT234434-2204P-09	9000 mm	+450
GT234434-2204P-08	8000 mm	+400
GT234434-2204P-07	7000 mm	+150
GT234434-2204P-06	6000 mm	+150
GT234434-2204P-05	5000 mm	+150
GT234434-2204P-04	4000 mm	+150
GT234434-2204P-03	3000 mm	+100
GT234434-2204P-02	2000 mm	+100
GT234434-2204P-01	1000 mm	+50
GT234434-2204P-29	900 mm	+50
GT234434-2204P-28	800 mm	+50
GT234434-2204P-27	700 mm	+50
GT234434-2204P-26	600 mm	+50
GT234434-2204P-25	500 mm	+50
GT234434-2204P-24	400 mm	+50
GT234434-2204P-23	300 mm	+25
GT234434-2204P-22	200 mm	+25



Item	Part Name	Material / Finish	Q'ty
8	RJ45 Plug	Housing: Thermoplastic, Color: Clean Contacts: Copper Alloy, Finish: Au Plated Shell: Cold Roll Steel, Finish: Ni Plated	1
7	Cable	CAT5E 24AWG*4P+D+Al/My (UV) Color: Black, OD=6.0mm	1
6	Over Mold	PVC Color: Black	1
5	Inner Mold	Thermoplastic Color: White Or Black	1
4	Gland Pin	Thermoplastic Color: Black	1
3	Contacts	Copper Alloy Finish: Au Plated	4
2	Housing	Thermoplastic Color: Black	1
1	Screw Nut	Copper Alloy Finish: Ni Plated	1

TITLE						DRAWING NUMBER			REV.	
M12 D-Coding 4A 4P Cable End Male With CAT5e Cable + RJ45 Plug						GT234434-2204P-XX			A2	
THIRD ANGLE PROJECTION	SIZE	SCALE	DRAW / DATE	CHECK / DATE	APPROVE / DATE	TOLERANCES		UNIT	SHEET	
DD NOT SCALE DRAWINGS	B	1:1	Lucas 10/18/18	Lucas 10/18/18	Ray 10/18/18	X.X ± 0.5 X.XX ± 0.2	X.XXX ± 0.05 ANGLES ± 1°	mm	1/1	

GT Contact CO.,LTD

NOTICE OF PROPRIETARY PROPERTY:  
 THE INFORMATION CONTAINED HEREIN IS THE PROPRIETARY PROPERTY OF GT CONTACT CO.,LTD THE POSSESSOR AGREES TO THE FOLLOWING:  
 (a) TO MAINTAIN THIS DOCUMENT IN CONFIDENCE  
 (b) NOT TO REPRODUCE OR COPY IT  
 (c) NOT TO REVEAL OR PUBLISH IT IN WHOLE OR PART  
 (d) ALL RIGHTS RESERVED