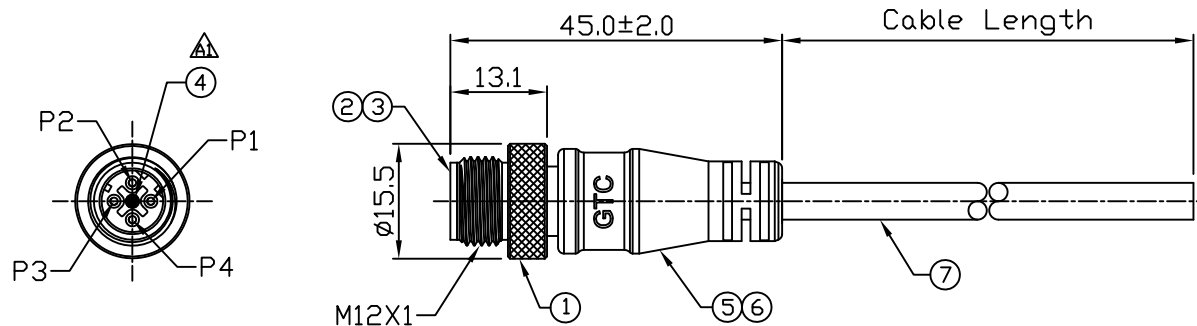


Notes: (Unless Otherwise Specified)
 1. Waterproof Rate: IP68
 2. RoHS Compliant.

REV	ECN#	DESCRIPTION OF REVISION	DRAW BY DATE	CHECK BY DATE	APPROVE BY DATE
A1	ECN-190416	Change Housing	Lucas 05/02/19	Lucas 05/02/19	Ray 05/02/19

GTC
 DOC.CENTER.ISSUE
 DEC.07.2020
 ONLY FOR
 RELEASE



Part No.	Cable Length	Tol.
GT234434-22041-15	15000 mm	+750
GT234434-22041-10	10000 mm	+500
GT234434-22041-09	9000 mm	+450
GT234434-22041-08	8000 mm	+400
GT234434-22041-07	7000 mm	+150
GT234434-22041-06	6000 mm	+150
GT234434-22041-05	5000 mm	+150
GT234434-22041-04	4000 mm	+150
GT234434-22041-03	3000 mm	+100
GT234434-22041-02	2000 mm	+100
GT234434-22041-01	1000 mm	+50
GT234434-22041-Z9	900 mm	+50
GT234434-22041-Z8	800 mm	+50
GT234434-22041-Z7	700 mm	+50
GT234434-22041-Z6	600 mm	+50
GT234434-22041-Z5	500 mm	+50
GT234434-22041-Z4	400 mm	+50
GT234434-22041-Z3	300 mm	+25
GT234434-22041-Z2	200 mm	+25

Item	Part Name	Material / Finish	Q'ty
7	Cable	UL2464 22AWG*4C Color: Black, OD=5.0mm	1
6	Over Mold	PVC Color: Black	1
5	Inner Mold	Thermoplastic Color: White Or Black	1
4	Gland Pin	Thermoplastic Color: Black	1
3	Contacts	Copper Alloy Finish: Au Plated	4
2	Housing	Thermoplastic Color: Black	1
1	Screw Nut	Copper Alloy Finish: Ni Plated	1

1	Black
2	Brown
3	Red
4	Orange

Wiring Diagram

TITLE						DRAWING NUMBER			REV.	
M12 D-Coding 4A 4P Cable End Male						GT234434-22041-XX			A1	
THIRD ANGLE PROJECTION	SIZE	SCALE	DRAW / DATE	CHECK / DATE	APPROVE / DATE	X.X ± 0.5 X.XX ± 0.2	X.XXX ± 0.05 ANGLES ± 1°	mm	1/1	
	B	1:1	Edwin 09/13/10	Ray 09/13/10	Ray 09/13/10	TOLERANCES		UNIT	SHEET	

GT Contact CO.,LTD
 NOTICE OF PROPRIETARY PROPERTY:
 THE INFORMATION CONTAINED HEREIN IS THE PROPRIETARY PROPERTY OF GT Contact CO.,LTD THE POSSESSOR AGREES TO THE FOLLOWING:
 (a) TO MAINTAIN THIS DOCUMENT IN CONFIDENCE
 (b) NOT TO REPRODUCE OR COPY IT
 (c) NOT TO REVEAL OR PUBLISH IT IN WHOLE OR PART
 (d) ALL RIGHTS RESERVED