

1

2

3

4

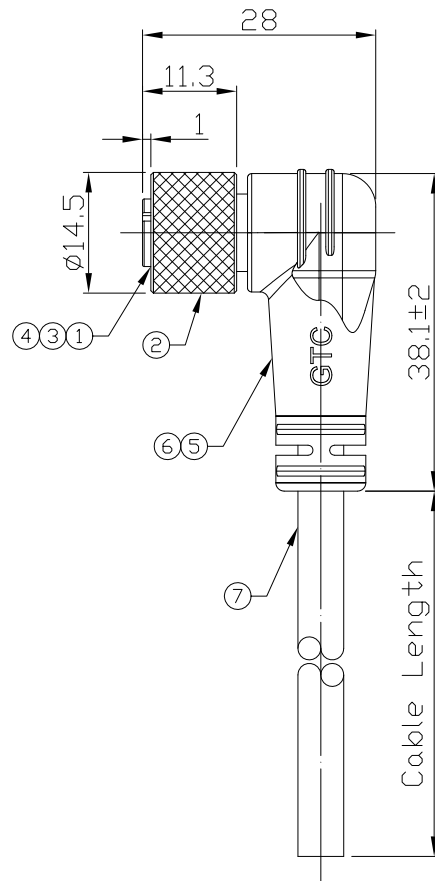
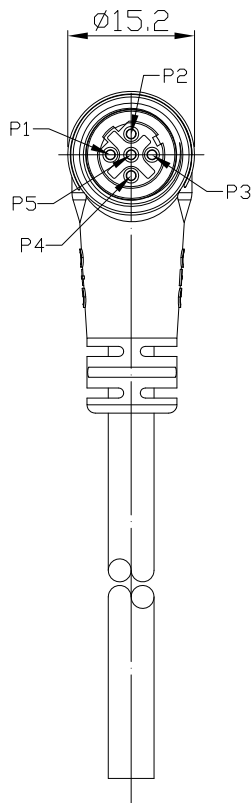
Notes: (Unless Otherwise Specified)

- 1. Waterproof Rate: IP68.
- 2. Durability 100 Cycles Min.
- 3. DWV: 1000 Vrms
- 4. Rated Voltage: 60V AC/DC.
- 5. Insulation Resistance: 100 MΩ Min.
- 6. RoHS Compliant.

REV	ECN#	DESCRIPTION OF REVISION	DRAW BY DATE	CHECK BY DATE	APPROVE BY DATE
01			Jenny 06/12/23	Hank 06/12/23	Lucas 06/12/23

1	Brown
2	Orange
3	Black
4	Yellow
5	Red

Wiring Diagram



GT234425-22051-10	10000 mm	+500
GT234425-22051-09	9000 mm	+450
GT234425-22051-08	8000 mm	+400
GT234425-22051-07	7000 mm	+150
GT234425-22051-06	6000 mm	+150
GT234425-22051-05	5000 mm	+150
GT234425-22051-04	4000 mm	+150
GT234425-22051-03	3000 mm	+100
GT234425-22051-02	2000 mm	+100
GT234425-22051-01	1000 mm	+50
GT234425-22051-29	900 mm	+50
GT234425-22051-28	800 mm	+50
GT234425-22051-27	700 mm	+50
GT234425-22051-26	600 mm	+50
GT234425-22051-25	500 mm	+50
GT234425-22051-24	400 mm	+50
GT234425-22051-23	300 mm	+25
GT234425-22051-22	200 mm	+25

Part No.	Cable Length	Tol.
----------	--------------	------

7	Cable	UL2464 22AWG*5C+Talc (UV) Color: Black, OD=5.5mm	1
6	Over Mold	PVC Color: Black	1
5	Inner Mold	Thermoplastic Color: White	1
4	O-Ring	Silicone Color: Red	1
3	Contacts	Copper Alloy Finish: Au Plated	5
2	Screw Nut	Copper Alloy Finish: Ni Plated	1
1	Housing	Thermoplastic Color: Black	1
Item	Part Name	Material / Finish	Q'ty

GT Contact CO.,LTD

NOTICE OF PROPRIETARY PROPERTY:
 THE INFORMATION CONTAINED HEREIN IS THE PROPRIETARY PROPERTY OF GT Contact CO.,LTD THE POSSESSOR AGREES TO THE FOLLOWING:
 (i) TO MAINTAIN THIS DOCUMENT IN CONFIDENCE
 (ii) NOT TO REPRODUCE OR COPY IT
 (iii) NOT TO REVEAL OR PUBLISH IT IN WHOLE OR PART
 (iv) ALL RIGHTS RESERVED

TITLE						DRAWING NUMBER			REV.	
M12 D-Coding 4A 5P Cable End 90° Female						GT234425-22051-XX			01	
	B	1:1	Jenny 06/12/23	Hank 06/12/23	Lucas 06/12/23	X.X ± 0.5	X.XXX ± 0.05	mm	1/1	
THIRD ANGLE PROJECTION	SIZE	SCALE	DRAW / DATE	CHECK / DATE	APPROVE / DATE	TOLERANCES		UNIT	SHEET	

1

2

3

4