

1

2

3

4

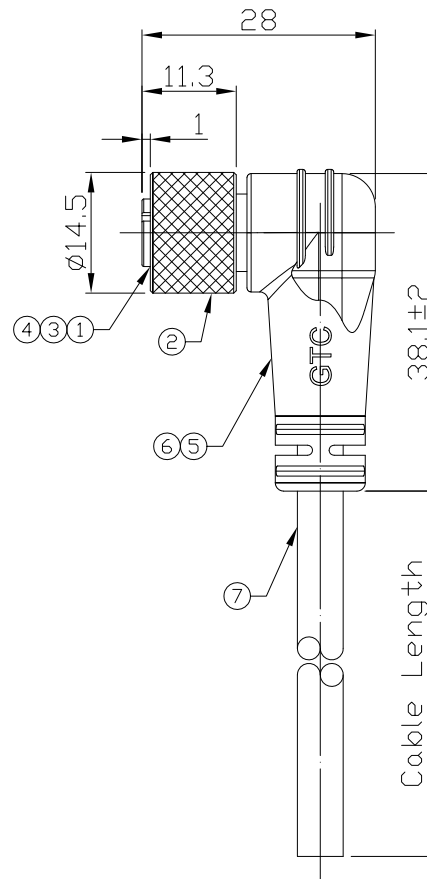
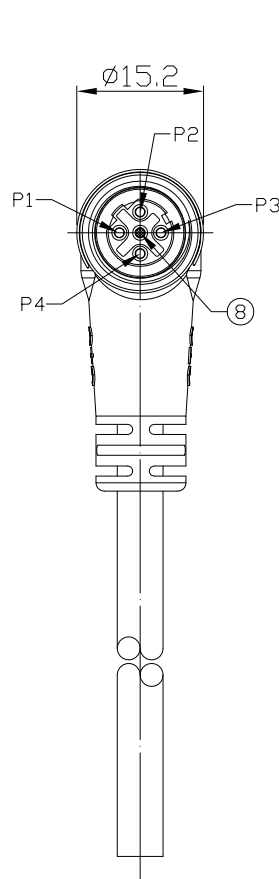
Notes: (Unless Otherwise Specified)

- 1. Waterproof Rate: IP68.
- 2. Durability 100 Cycles Min.
- 3. DWV: 1400 Vrms
- 4. Rated Voltage: 250V AC/DC.
- 5. Insulation Resistance: 100 MΩ Min.
- 6. RoHS Compliant.

REV	ECN#	DESCRIPTION OF REVISION	DRAW BY DATE	CHECK BY DATE	APPROVE BY DATE
01			Jenny 06/12/23	Hank 06/12/23	Lucas 06/12/23

1	Brown
2	Orange
3	Black
4	Red

Wiring Diagram



GTC
 DOC.CENTER.ISSUE
 JUN.12.2023
 ONLY FOR
 RELEASE

GT234425-22041-10	10000 mm	+500
GT234425-22041-09	9000 mm	+450
GT234425-22041-08	8000 mm	+400
GT234425-22041-07	7000 mm	+150
GT234425-22041-06	6000 mm	+150
GT234425-22041-05	5000 mm	+150
GT234425-22041-04	4000 mm	+150
GT234425-22041-03	3000 mm	+100
GT234425-22041-02	2000 mm	+100
GT234425-22041-01	1000 mm	+50
GT234425-22041-Z9	900 mm	+50
GT234425-22041-Z8	800 mm	+50
GT234425-22041-Z7	700 mm	+50
GT234425-22041-Z6	600 mm	+50
GT234425-22041-Z5	500 mm	+50
GT234425-22041-Z4	400 mm	+50
GT234425-22041-Z3	300 mm	+25
GT234425-22041-Z2	200 mm	+25

Part No.	Cable Length	Tol.
----------	--------------	------

Item	Part Name	Material / Finish	Q'ty
8	Gland Pin	Thermoplastic Color: Black	1
7	Cable	UL2464 22AWG*4C+(UV) Color: Black, OD=5.0mm	1
6	Over Mold	PVC Color: Black	1
5	Inner Mold	Thermoplastic Color: White	1
4	O-Ring	Silicone Color: Red	1
3	Contacts	Copper Alloy Finish: Au Plated	4
2	Screw Nut	Copper Alloy Finish: Ni Plated	1
1	Housing	Thermoplastic Color: Black	1

TITLE						DRAWING NUMBER			REV.	
M12 D-Coding 4A 4P Cable End 90° Female						GT234425-22041-XX			01	
	B	1:1	Jenny 06/12/23	Hank 06/12/23	Lucas 06/12/23	X.X ± 0.5	X.XXX ± 0.05	mm	1/1	
THIRD ANGLE PROJECTION						TOLERANCES		UNIT	SHEET	

GT Contact CO.,LTD

NOTICE OF PROPRIETARY PROPERTY:
 THE INFORMATION CONTAINED HEREIN IS THE PROPRIETARY PROPERTY OF GT Contact CO.,LTD THE POSSESSOR AGREES TO THE FOLLOWING:
 (i) TO MAINTAIN THIS DOCUMENT IN CONFIDENCE
 (ii) NOT TO REPRODUCE OR COPY IT
 (iii) NOT TO REVEAL OR PUBLISH IT IN WHOLE OR PART
 (iv) ALL RIGHTS RESERVED

1

2

3

4