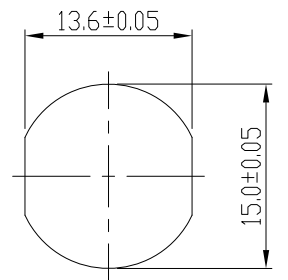
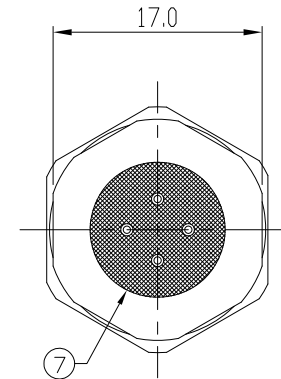
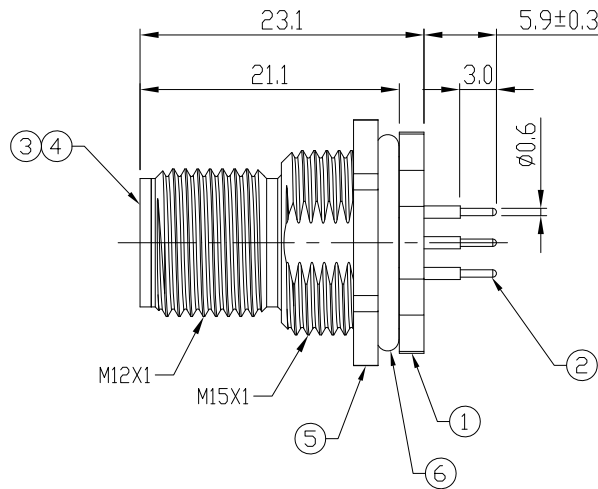
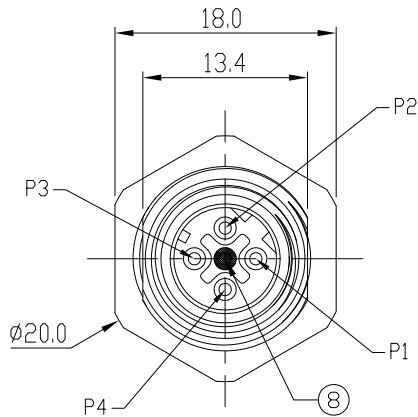


Notes: (Unless Otherwise Specified)

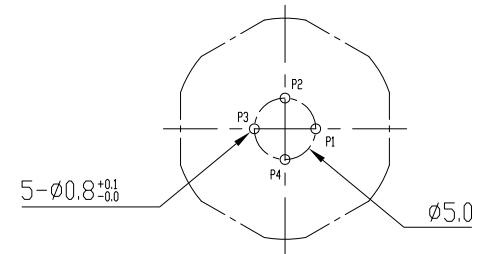
- 1. Waterproof Rate: IP68.
- 2. Recommend Panel Thickness: 0.8 To 5.0 mm.
- 3. Recommend Torque: 14~15 Kgf-cm.
- 4. Durability: 100 Cycles Min.
- 5. DWV: 1400 Vrms
- 6. Rated Voltage: 250V AC/DC.
- 7. Insulation Resistance: 100MΩ Min.
- 8. RoHS Compliant.

REV	ECN#	DESCRIPTION OF REVISION	DRAW BY DATE	CHECK BY DATE	APPROVE BY DATE
A2	ECN-200821	Change Torque Of Screw Tightening: 9~10 kgf/cm → 14~15 kgf/cm.	Aileen 09/01/20	Lucas 09/01/20	Ray 09/01/20

GTC  
 DOC.CENTER.ISSUE  
 SEP.03.2020  
 ONLY FOR  
 RELEASE



Recommend Panel Cut-Out



Recommend PCB layout  
Component Side

Item	Part Name	Material / Finish	Qty
8	Gland Pin	Thermoplastic Color: Black	1
7	Glue	Epoxy Color: Black	1
6	O-Ring	NBR Color: Black	1
5	Hex Nut	Copper Alloy Finish: Ni Plated	1
4	Base	Thermoplastic Color: Black	1
3	Housing	Thermoplastic Color: Black	1
2	Contacts	Copper Alloy Finish: Au Plated	4
1	Shielding Case	Copper Alloy Finish: Ni Plated	1

TITLE M12 D-Coding 4A 4P Panel Front Mount Male Dip						DRAWING NUMBER GT234412-12040		REV. A2
--	--	--	--	--	--	----------------------------------	--	------------

THIRD ANGLE PROJECTION	SIZE B	SCALE 1:1	DRAW / DATE Edwin 05/20/11	CHECK / DATE Lucas 05/20/11	APPROVE / DATE Ray 05/20/11	TOLERANCES X.X ± 0.5 X.XX ± 0.2	UNIT mm	SHEET 1/1
------------------------	-----------	--------------	-------------------------------	--------------------------------	--------------------------------	---------------------------------------	------------	--------------

GT Contact CO.,LTD

NOTICE OF PROPRIETARY PROPERTY:

THE INFORMATION CONTAINED HEREIN IS THE PROPRIETARY PROPERTY OF GT CONTACT CO.,LTD. THE POSSESSOR AGREES TO THE FOLLOWING:

- (a) TO MAINTAIN THIS DOCUMENT IN CONFIDENCE
- (b) NOT TO REPRODUCE OR COPY IT
- (c) NOT TO REVEAL OR PUBLISH IT IN WHOLE OR PART
- (d) ALL RIGHTS RESERVED