

1

2

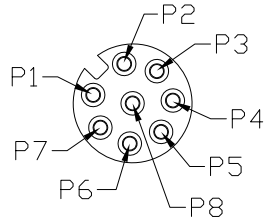
3

4

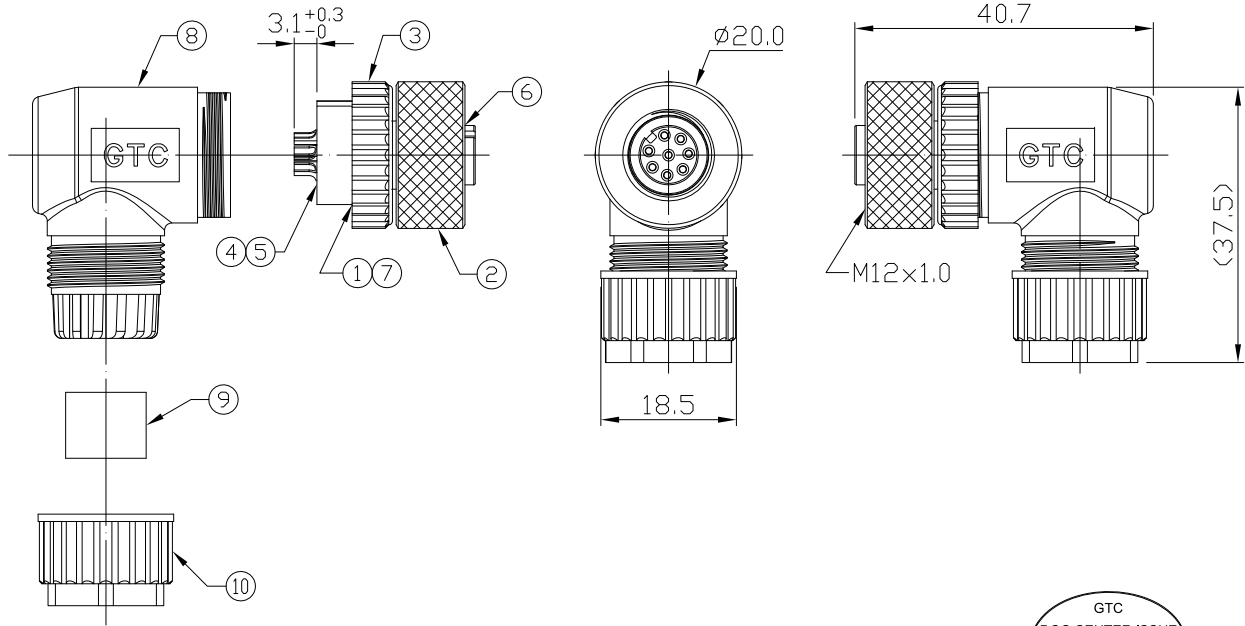
Notes: (Unless Otherwise Specified)

- 1. WaterProof Rate: IP68
- 2. Cable Diameter: 5.0 to 7.5 mm.
- 3. Recommend Cover Torque: 6~7 Kgf-cm.
- 4. Recommend Gland Nut Torque: 9~10 Kgf-cm.
- 5. RoHS Compliant.

REV	ECN#	DESCRIPTION OF REVISION	DRAW BY DATE	CHECK BY DATE	APPROVE BY DATE
01			Hank 08/25/25	Hank 08/25/25	Lucas 08/25/25



Front View
Pin Assignment



Item	Part Name	Material / Finish	Q'ty
10	Gland Nut	Thermoplastic Color: Black	1
9	Gland	NBR Color: Black	1
8	Cover	Thermoplastic Color: Black	1
7	O-Ring	Silicone Color: Black	1
6	O-Ring	Silicone Color: Red	1
5	Glue	Epoxy Color: Black	
4	Contacts	Copper Alloy Finish: Au Plated	8
3	Cover Nut	Thermoplastic Color: Black	1
2	Screw Nut	Copper Alloy Finish: Ni Plated	1
1	Housing	Thermoplastic Color: Black	1

GT Contact CO.,LTD

NOTICE OF PROPRIETARY PROPERTY:
 THE INFORMATION CONTAINED HEREIN IS THE PROPRIETARY PROPERTY OF GT Contact CO.,LTD THE POSSESSOR AGREES TO THE FOLLOWING:
 (i) TO MAINTAIN THIS DOCUMENT IN CONFIDENCE
 (ii) NOT TO REPRODUCE OR COPY IT
 (iii) NOT TO REVEAL OR PUBLISH IT IN WHOLE OR PART
 (iv) ALL RIGHTS RESERVED

TITLE M12 A-Coding 2A 8P Field Installable Cable End 90° Female Solder						DRAWING NUMBER GT234145-01080		REV. 01	
	B	1:1	Hank 08/25/25	Hank 08/25/25	Lucas 08/25/25	X.X ± 0.5 X.XX ± 0.2	X.XXX ± 0.05 ANGLES ± 1°	mm	1/1
THIRD ANGLE PROJECTION	SIZE	SCALE	DRAW / DATE	CHECK / DATE	APPROVE / DATE	TOLERANCES		UNIT	SHEET

1

2

3

4