

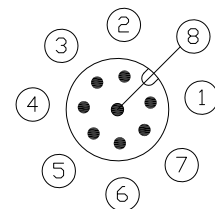
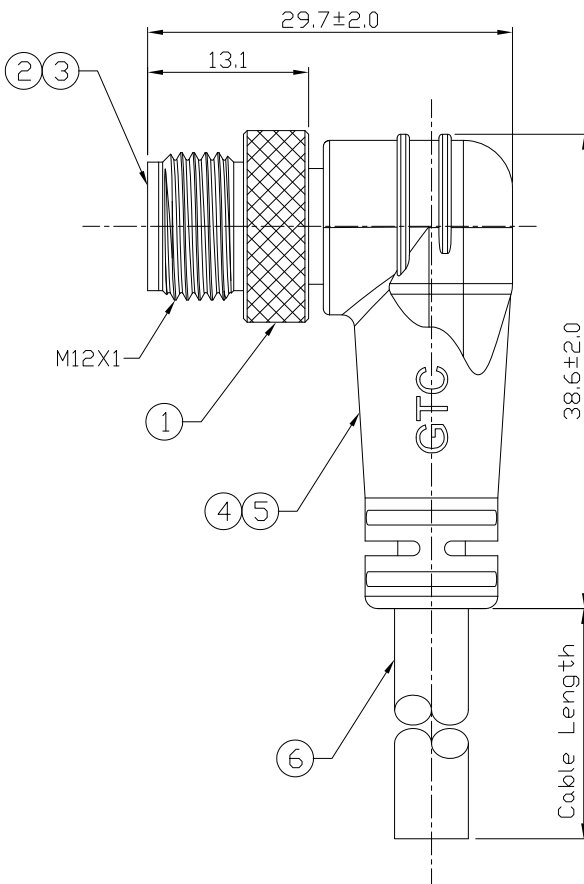
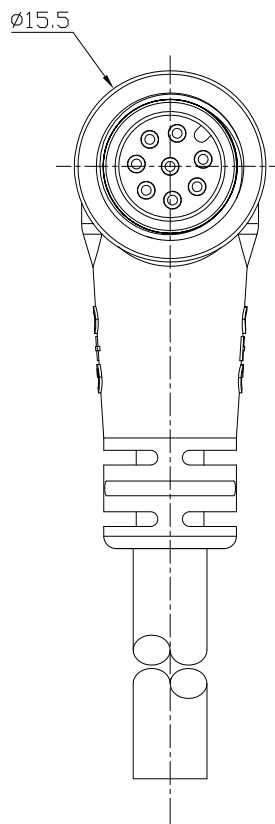
Notes: (Unless Otherwise Specified)
 1. Waterproof Rate: IP68.
 2. RoHS Compliant.

REV	ECN#	DESCRIPTION OF REVISION	DRAW BY DATE	CHECK BY DATE	APPROVE BY DATE
01			Aileen 12/09/21	Lucas 12/09/21	Ray 12/09/21



1	White/Orange	Twist
2	Orange	
3	White/Green	Twist
4	Blue	
5	White/Blue	Twist
6	Green	
7	White/Brown	Twist
8	Brown	

Wiring Diagram



Pin Assignment

Part No.	Cable Length	Tol.
GT234135-21086-10	10000 mm	+500
GT234135-21086-09	9000 mm	+450
GT234135-21086-08	8000 mm	+400
GT234135-21086-07	7000 mm	+150
GT234135-21086-06	6000 mm	+150
GT234135-21086-05	5000 mm	+150
GT234135-21086-04	4000 mm	+150
GT234135-21086-03	3000 mm	+100
GT234135-21086-02	2000 mm	+100
GT234135-21086-01	1000 mm	+50
GT234135-21086-Z9	900 mm	+50
GT234135-21086-Z8	800 mm	+50
GT234135-21086-Z7	700 mm	+50
GT234135-21086-Z6	600 mm	+50
GT234135-21086-Z5	500 mm	+50
GT234135-21086-Z4	400 mm	+50
GT234135-21086-Z3	300 mm	+25
GT234135-21086-Z2	200 mm	+25
GT234135-21086-Z1	100 mm	+25

Item	Part Name	Material / Finish	Q'ty
6	Cable	UL2835 24AWG*4P+Al/My+D OD=6.0mm, Color: Black	1
5	Over Mold	PVC Color: Black	1
4	Inner Mold	Thermoplastic Color: White	1
3	Contacts	Copper Alloy Finish: Au Plated	8
2	Housing	Thermoplastic Color: Black	1
1	Screw Nut	Copper Alloy Finish: Ni Plated	1

TITLE						DRAWING NUMBER		REV.
M12 A-Coding 2A 8P Cable End 90° Male With UL2835 Cable						GT234135-21086-XX		01
THIRD ANGLE PROJECTION	SIZE	SCALE	DRAW / DATE	CHECK / DATE	APPROVE / DATE	TOLERANCES	UNIT	SHEET
	B	2:1	Aileen 12/09/21	Lucas 12/09/21	Ray 12/09/21	X.X ± 0.5 X.XX ± 0.2	mm	1/1
						ANGLES ± 1°		

GT Contact CO.,LTD

NOTICE OF PROPRIETARY PROPERTY:
 THE INFORMATION CONTAINED HEREIN IS THE PROPRIETARY PROPERTY OF GT CONTACT CO.,LTD THE POSSESSOR AGREES TO THE FOLLOWING:
 (A) TO MAINTAIN THIS DOCUMENT IN CONFIDENCE
 (B) NOT TO REPRODUCE OR COPY IT
 (C) NOT TO REVEAL OR PUBLISH IT IN WHOLE OR PART
 (D) ALL RIGHTS RESERVED