

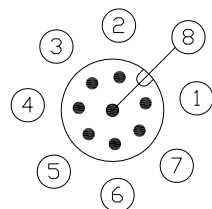
Notes: (Unless Otherwise Specified)

1. Waterproof Rate: IP68.
2. Durability: 100 Cycles Min.
3. DWV: 650 Vrms
4. Rated Voltage: 30V AC/DC.
5. Insulation Resistance: 100 MΩ Min.
6. RoHS Compliant.

REV	ECN#	DESCRIPTION OF REVISION	DRAW BY DATE	CHECK BY DATE	APPROVE BY DATE
01			Edwin 07/10/12	Lucas 07/10/12	Ray 07/10/12

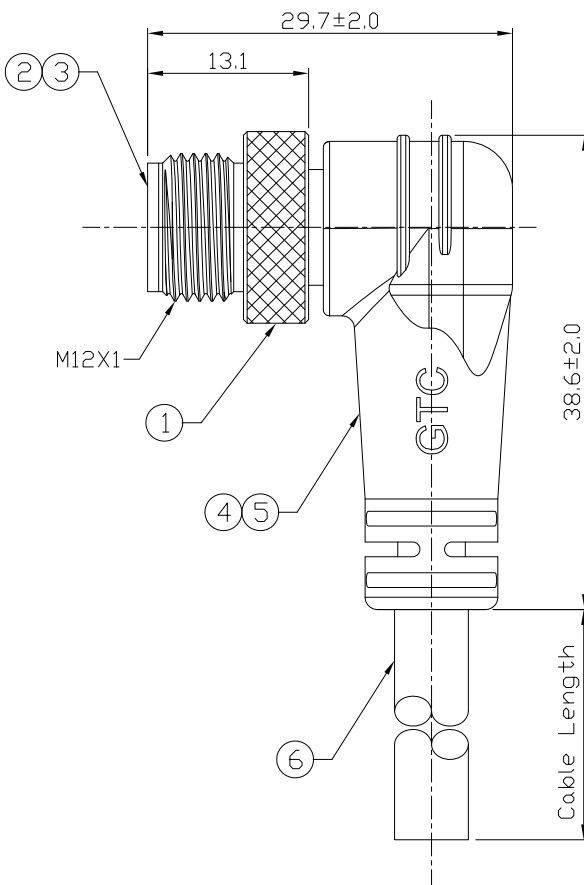
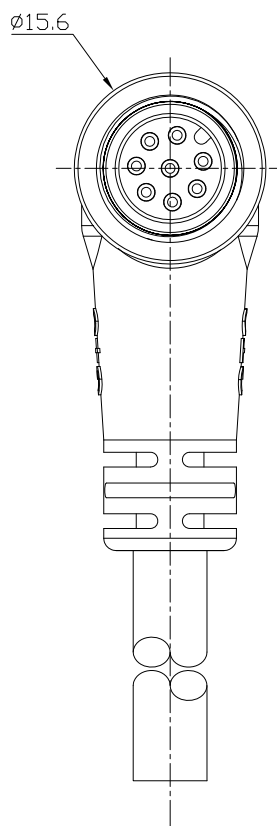
GTC
R&D DEPT. ISSUE
JUL.12.2012
ONLY FOR
RELEASE

1	Black
2	Brown
3	Orange
4	Yellow
5	Green
6	Blue
7	Violet
8	White



Pin Assignment

Wiring Diagram



GT234135-21081-10	10000 mm	±500
GT234135-21081-09	9000 mm	±450
GT234135-21081-08	8000 mm	±400
GT234135-21081-07	7000 mm	±350
GT234135-21081-06	6000 mm	±300
GT234135-21081-05	5000 mm	±250
GT234135-21081-04	4000 mm	±200
GT234135-21081-03	3000 mm	±150
GT234135-21081-02	2000 mm	±100
GT234135-21081-01	1000 mm	±50
GT234135-21081-Z9	900 mm	±40
GT234135-21081-Z8	800 mm	±40
GT234135-21081-Z7	700 mm	±40
GT234135-21081-Z6	600 mm	±40
GT234135-21081-Z5	500 mm	±40
GT234135-21081-Z4	400 mm	±10
GT234135-21081-Z3	300 mm	±10
GT234135-21081-Z2	200 mm	±10
GT234135-21081-Z1	100 mm	±10

Part No.	Cable Length	Tol.
----------	--------------	------

6	Cable	UL2464 24AWG*8C+AL/My+D (UV) OD=5.5±0.2mm, PVC, Color: Black	1
5	Over Mold	PVC Color: Black	1
4	Inner Mold	Thermoplastic Color: White	1
3	Contacts	Copper Alloy Finish: Au Plated	8
2	Housing	Thermoplastic Color: Black	1
1	Screw Nut	Copper Alloy Finish: Ni Plated	1
Item	Part Name	Material / Finish	Qty

TITLE	DRAWING NUMBER	REV.
M12 A-Coding 2A 8P Cable End 90° Male	GT234135-21081-XX	01

THIRD ANGLE PROJECTION	SIZE	SCALE	DRAW / DATE	CHECK / DATE	APPROVE / DATE	TOLERANCES	UNIT	SHEET
	B	2:1	Edwin 07/10/12	Lucas 07/10/12	Ray 07/10/12	X.X ± 0.5 X.XX ± 0.2 ANGLES ± 1°	mm	1/1

GT Contact CO.,LTD

NOTICE OF PROPRIETARY PROPERTY:
THE INFORMATION CONTAINED HEREIN IS THE PROPRIETARY PROPERTY OF GT Contact CO.,LTD THE POSSESSOR AGREES TO THE FOLLOWING:
(a) TO MAINTAIN THIS DOCUMENT IN CONFIDENCE
(b) NOT TO REPRODUCE OR COPY IT
(c) NOT TO REVEAL OR PUBLISH IT IN WHOLE OR PART
(d) ALL RIGHTS RESERVED