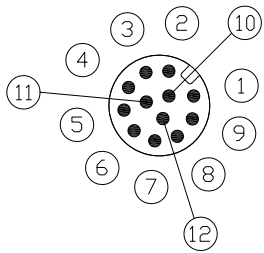


Notes: (Unless Otherwise Specified)

- 1. Waterproof Rate: IP68.
- 2. Durability: 100 Cycles Min.
- 3. DWV: 500 Vrms
- 4. Rated Voltage: 30V AC/DC.
- 5. Insulation Resistance: 100 MΩ Min.
- 6. RoHS Compliant.

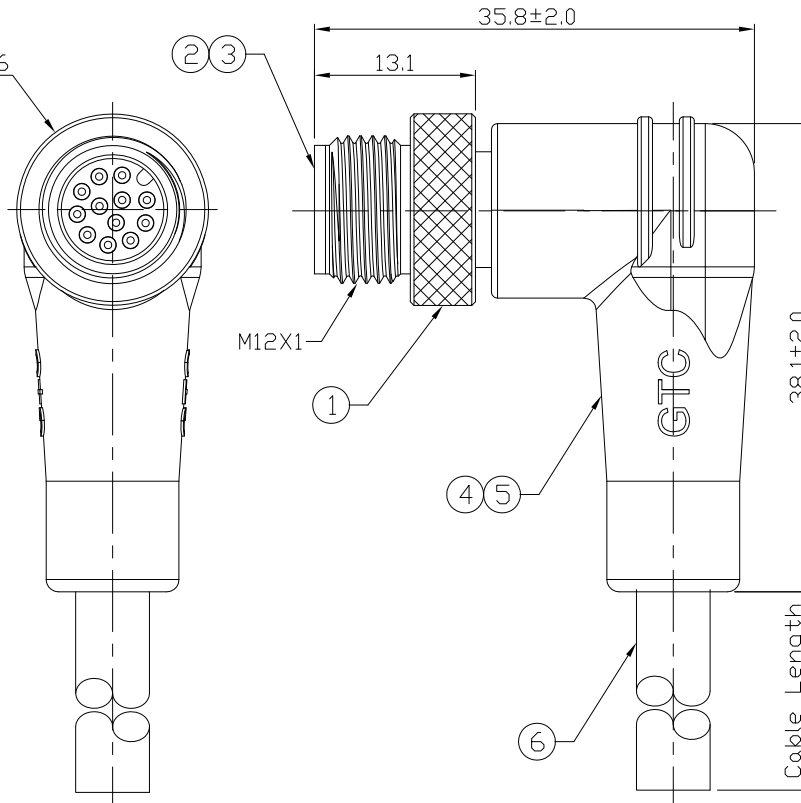
REV	ECN#	DESCRIPTION OF REVISION	DRAW BY DATE	CHECK BY DATE	APPROVE BY DATE
A0	ECN-141005	Mass Production	Edwin 12/19/14	Lucas 12/19/14	Ray 12/19/14



Pin Assignment

1	Brown
2	Blue
3	White
4	Green
5	Pink
6	Yellow
7	Black
8	Grey
9	Red
10	Violet
11	Grey/Pink
12	Red/Blue

Wiring Diagram



GTC
 DOC.CENTER.ISSUE
 DEC.25.2014
 ONLY FOR
 RELEASE

Item	Part Name	Material / Finish	Qty
6	Cable	UL20279 26AWG*12C+AL/My (UV) OD=6.0±0.2mm, PU, Color: Black	1
5	Over Mold	TPU Color: Black	1
4	Inner Mold	Thermal Plastic Color: White	1
3	Contacts	Copper Alloy Finish: Au Plated	12
2	Housing	Thermal Plastic Color: Black	1
1	Screw Nut	Copper Alloy Finish: Ni Plated	1

Part No.	Cable Length	Tol.
GT234135-04122-10	10000 mm	±500
GT234135-04122-09	9000 mm	±450
GT234135-04122-08	8000 mm	±400
GT234135-04122-07	7000 mm	±150
GT234135-04122-06	6000 mm	±150
GT234135-04122-05	5000 mm	±150
GT234135-04122-04	4000 mm	±150
GT234135-04122-03	3000 mm	±150
GT234135-04122-02	2000 mm	±100
GT234135-04122-01	1000 mm	±50
GT234135-04122-Z9	900 mm	±40
GT234135-04122-Z8	800 mm	±40
GT234135-04122-Z7	700 mm	±40
GT234135-04122-Z6	600 mm	±40
GT234135-04122-Z5	500 mm	±40
GT234135-04122-Z4	400 mm	±20
GT234135-04122-Z3	300 mm	±20
GT234135-04122-Z2	200 mm	±10

GT Contact CO.,LTD

NOTICE OF PROPRIETARY PROPERTY:
 THE INFORMATION CONTAINED HEREIN IS THE PROPRIETARY PROPERTY OF GT Contact CO.,LTD THE POSSESSOR AGREES TO THE FOLLOWING:
 (A) TO MAINTAIN THIS DOCUMENT IN CONFIDENCE
 (B) NOT TO REPRODUCE OR COPY IT
 (C) NOT TO REVEAL OR PUBLISH IT IN WHOLE OR PART
 (D) ALL RIGHTS RESERVED

TITLE M12 A-Coding 1.5A 12P Cable End 90° Male With TPU Cable						DRAWING NUMBER GT234135-04122-XX		REV. A0	
THIRD ANGLE PROJECTION	SIZE B	SCALE N/A	DRAW / DATE Edwin 12/19/14	CHECK / DATE Lucas 12/19/14	APPROVE / DATE Ray 12/19/14	TOLERANCES X.X ± 0.5 X.XX ± 0.2	UNIT mm	ANGLES ± 1°	SHEET 1/1