

1

2

3

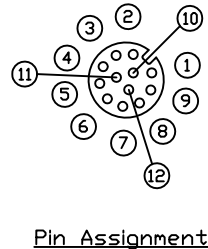
4

Notes: (Unless Otherwise Specified)

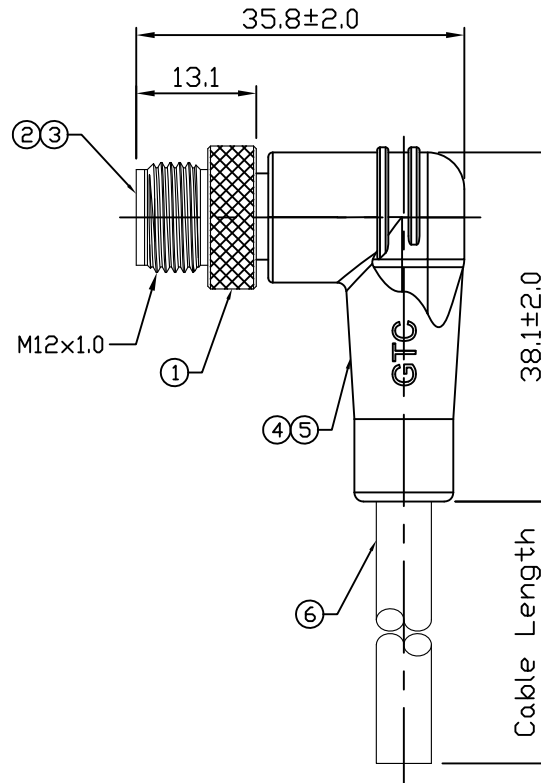
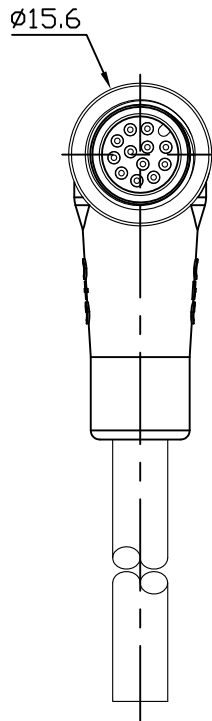
- 1. Waterproof Rate: IP68.
- 2. Durability: 100 Cycles Min.
- 3. DWV: 500 Vrms
- 4. Rated Voltage: 30V AC/DC.
- 5. Insulation Resistance: 100 MΩ Min.
- 6. RoHS Compliant.

REV	ECN#	DESCRIPTION OF REVISION	DRAW BY DATE	CHECK BY DATE	APPROVE BY DATE
A0			Jenny 11/29/22	Lucas 11/29/22	Ray 11/29/22

1	Black
2	Brown
3	Red
4	Orange
5	Yellow
6	Green
7	Blue
8	Purple
9	Gray
10	White
11	Pink
12	Light Green



Wiring Diagram



Part No.	Cable Length	Tol.
GT234135-04121-10	10000 mm	+500
GT234135-04121-09	9000 mm	+450
GT234135-04121-08	8000 mm	+400
GT234135-04121-07	7000 mm	+150
GT234135-04121-06	6000 mm	+150
GT234135-04121-05	5000 mm	+150
GT234135-04121-04	4000 mm	+150
GT234135-04121-03	3000 mm	+100
GT234135-04121-02	2000 mm	+100
GT234135-04121-01	1000 mm	+50
GT234135-04121-29	900 mm	+50
GT234135-04121-28	800 mm	+50
GT234135-04121-27	700 mm	+50
GT234135-04121-26	600 mm	+50
GT234135-04121-25	500 mm	+50
GT234135-04121-24	400 mm	+50
GT234135-04121-23	300 mm	+25
GT234135-04121-22	200 mm	+25

Item	Part Name	Material / Finish	Q'ty
6	Cable	UL2464 26AWG*12C+Al/My+D Color: Black, OD=6.0mm	1
5	Over Mold	PVC Color: Black	1
4	Inner Mold	Thermoplastic Color: White or Black	1
3	Contacts	Copper Alloy Finish: Au Plated	12
2	Housing	Thermoplastic Color: Black	1
1	Screw Nut	Copper Alloy Finish: Ni Plated	1

GT Contact CO.,LTD

NOTICE OF PROPRIETARY PROPERTY:
 THE INFORMATION CONTAINED HEREIN IS THE PROPRIETARY PROPERTY OF GT Contact CO.,LTD THE POSSESSOR AGREES TO THE FOLLOWING:
 (1) TO MAINTAIN THIS DOCUMENT IN CONFIDENCE
 (2) NOT TO REPRODUCE OR COPY IT
 (3) NOT TO REVEAL OR PUBLISH IT IN WHOLE OR PART
 (4) ALL RIGHTS RESERVED

TITL			DRAWING NUMBER			REV.		
M12 A-Coding 1.5A 12P Cable End 90° Male			GT234135-04121-XX			A0		
	B	1:1	Jenny 11/29/22	Lucas 11/29/22	Ray 11/29/22	X.X ± 0.5 X.XX ± 0.2	X.XXX ± 0.05 ANGLES ± 1°	mm 1/1
THIRD ANGLE PROJECTION	SIZE	SCALE	DRAW / DATE	CHECK / DATE	APPROVE / DATE	TOLERANCES		UNIT SHEET

1

2

3

4