

1

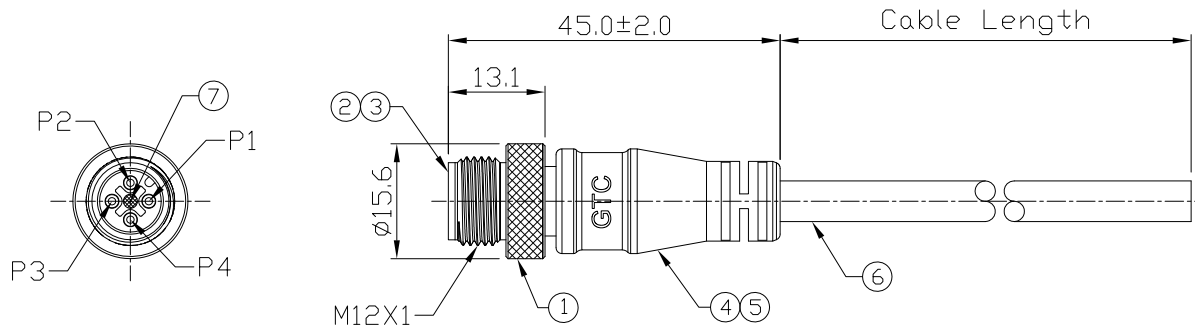
2

3

4

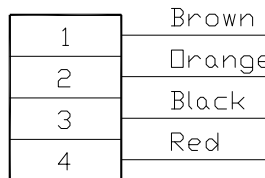
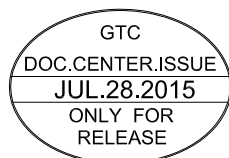
Notes: (Unless Otherwise Specified)  
 1. Waterproof Rate: IP68  
 2. RoHS Compliant.

REV	ECN#	DESCRIPTION OF REVISION	DRAW BY DATE	CHECK BY DATE	APPROVE BY DATE
A0		Mass Production	Vicky 12/13/10	Ray 12/13/10	Ray 12/13/10
A1	ECN-150707	Modify Housing Type & Cancel Base	Joyce 07/22/15	Lucas 07/22/15	Ray 07/22/15



GT234134-22041-10	10000 mm	±500
GT234134-22041-09	9000 mm	±450
GT234134-22041-08	8000 mm	±400
GT234134-22041-07	7000 mm	±150
GT234134-22041-06	6000 mm	±150
GT234134-22041-05	5000 mm	±150
GT234134-22041-04	4000 mm	±150
GT234134-22041-03	3000 mm	±150
GT234134-22041-02	2000 mm	±100
GT234134-22041-01	1000 mm	±50
GT234134-22041-Z9	900 mm	±40
GT234134-22041-Z8	800 mm	±40
GT234134-22041-Z7	700 mm	±40
GT234134-22041-Z6	600 mm	±40
GT234134-22041-Z5	500 mm	±40
GT234134-22041-Z4	400 mm	±20
GT234134-22041-Z3	300 mm	±20
GT234134-22041-Z2	200 mm	±10
Part No.	Cable Length	Tol.

7	Gland Pin	Thermoplastic Color: Black	1
6	Cable	UL2464 22AWG*4C Color: Black, OD=5.0mm	1
5	Over Mold	PVC Color: Black	1
4	Inner Mold	Thermoplastic Color: White Or Black	1
3	Contacts	Copper Alloy Finish: Au Plated	4
2	Housing	Thermoplastic Color: Black	1
1	Screw Nut	Copper Alloy Finish: Ni Plated	1
Item	Part Name	Material / Finish	Q'ty



Wiring Diagram

TITLE						DRAWING NUMBER			REV.
M12 A-Coding 4A 4P Cable End Male						GT234134-22041-XX			A1
THIRD ANGLE PROJECTION	SIZE	SCALE	DRAW / DATE	CHECK / DATE	APPROVE / DATE	X.X ± 0.5 X.XX ± 0.2	X.XXX ± 0.05 ANGLES ± 1°	mm	1/1
						TOLERANCES		UNIT	SHEET

GT Contact CO.,LTD

NOTICE OF PROPRIETARY PROPERTY:  
 THE INFORMATION CONTAINED HEREIN IS THE PROPRIETARY PROPERTY OF GT CONTACT CO.,LTD THE POSSESSOR AGREES TO THE FOLLOWING:  
 (a) TO MAINTAIN THIS DOCUMENT IN CONFIDENCE  
 (b) NOT TO REPRODUCE OR COPY IT  
 (c) NOT TO REVEAL OR PUBLISH IT IN WHOLE OR PART  
 (d) ALL RIGHTS RESERVED

1

2

3

4