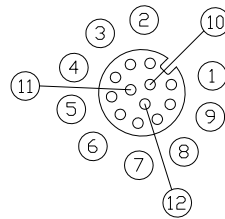
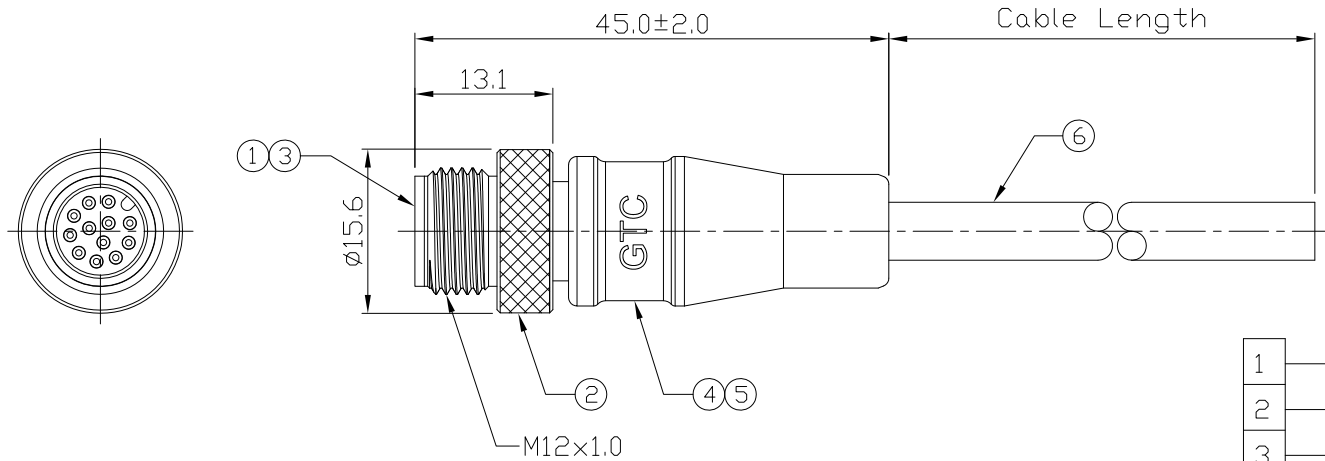


Notes: (Unless Otherwise Specified)

1. Waterproof Rate: IP68.
2. Durability: 100 Cycles Min.
3. DWV: 500 Vrms
4. Rated Voltage: 30V AC/DC.
5. Insulation Resistance: 100 MΩ Min.
6. RoHS Compliant.

REV	ECN#	DESCRIPTION OF REVISION	DRAW BY DATE	CHECK BY DATE	APPROVE BY DATE
A1	ECN-201209	Reference IPC620, Modified Length Of Tolerance.	Aileen 12/07/20	Lucas 12/07/20	Ray 12/07/20

GTC
DOC.CENTER.ISSUE
DEC.07.2020
ONLY FOR
RELEASE



Front View
Pin Assignment

Pin No.	Color
1	Black
2	Brown
3	Red
4	Orange
5	Yellow
6	Green
7	Blue
8	Purple
9	Gray
10	White
11	Pink
12	Light Green

Wiring Diagram

Part No.	Cable Length	Tol.
GT234134-04121-30	30000 mm	+1500
GT234134-04121-15	15000 mm	+750
GT234134-04121-10	10000 mm	+500
GT234134-04121-09	9000 mm	+450
GT234134-04121-08	8000 mm	+400
GT234134-04121-07	7000 mm	+150
GT234134-04121-06	6000 mm	+150
GT234134-04121-05	5000 mm	+150
GT234134-04121-04	4000 mm	+150
GT234134-04121-03	3000 mm	+100
GT234134-04121-02	2000 mm	+100
GT234134-04121-01	1000 mm	+50
GT234134-04121-Z9	900 mm	+50
GT234134-04121-Z8	800 mm	+50
GT234134-04121-Z7	700 mm	+50
GT234134-04121-Z6	600 mm	+50
GT234134-04121-Z5	500 mm	+50
GT234134-04121-Z4	400 mm	+50
GT234134-04121-Z3	300 mm	+25
GT234134-04121-Z2	200 mm	+25

Item	Part Name	Material / Finish	Q'ty
6	Cable	UL2464 26AWGx12C+Al/My+D Color: Black, OD=6.0mm	1
5	Over Mold	PVC Color: Black	1
4	Inner Mold	Thermoplastic Color: White	1
3	Contacts	Copper Alloy Finish: Au Plated	12
2	Screw Nut	Copper Alloy Finish: Ni Plated	1
1	Housing	Thermoplastic Color: Black	1

TITLE						DRAWING NUMBER			REV.	
M12 A-Coding 1.5A 12P Cable End Male						GT234134-04121-XX			A1	
THIRD ANGLE PROJECTION	SIZE	SCALE	DRAW / DATE	CHECK / DATE	APPROVE / DATE	TOLERANCES	UNIT	SHEET		
	B	1:1	Edwin 05/05/10	Ray 05/05/10	Ray 05/05/10	X.X ± 0.5 X.XX ± 0.2	mm	1/1		
						X.XXX ± 0.05 ANGLES ± 1°				

GT Contact CO.,LTD

NOTICE OF PROPRIETARY PROPERTY:
THE INFORMATION CONTAINED HEREIN IS THE PROPRIETARY PROPERTY OF GT Contact CO.,LTD THE POSSESSOR AGREES TO THE FOLLOWING:
(*) TO MAINTAIN THIS DOCUMENT IN CONFIDENCE
(**) NOT TO REPRODUCE OR COPY IT
(***) NOT TO REVEAL OR PUBLISH IT IN WHOLE OR PART
(iv) ALL RIGHTS RESERVED