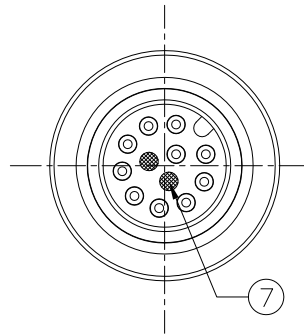


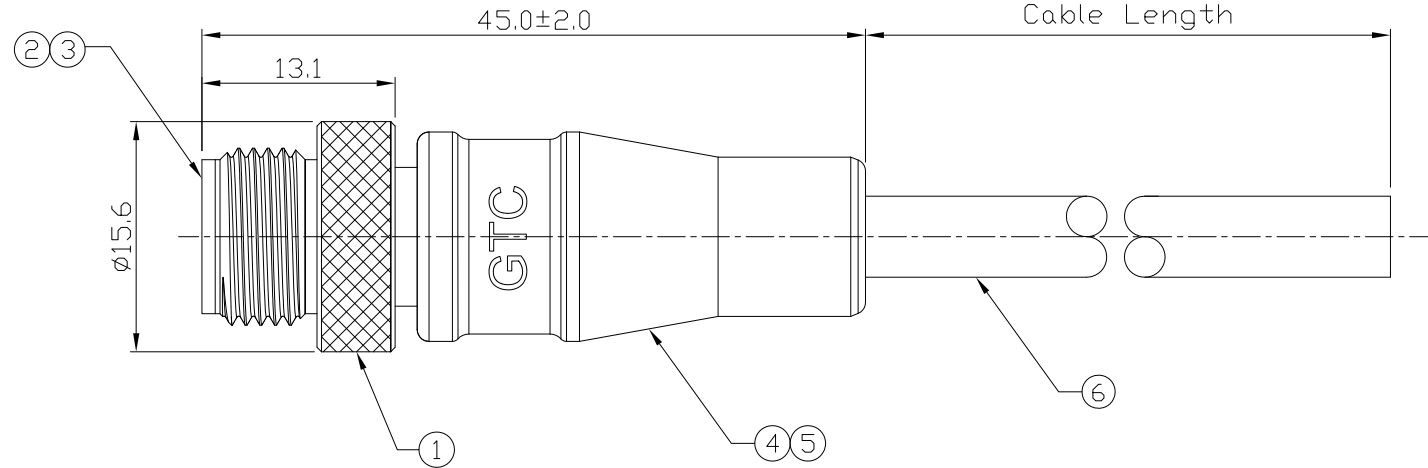
Notes: (Unless Otherwise Specified)

1. Waterproof Rate : IP68.
2. Durability: 100 Cycles Min.
3. DWV: 500 Vrms
4. Rated Voltage: 30V AC/DC
5. Insulation Resistance: 100 MΩ Min.
6. RoHS & REACH Compliant.

REV	ECN#	DESCRIPTION OF REVISION	DRAW BY DATE	CHECK BY DATE	APPROVE BY DATE
A0		Mass Production	Lucas 01/05/12	Ray 01/05/12	Ray 01/05/12

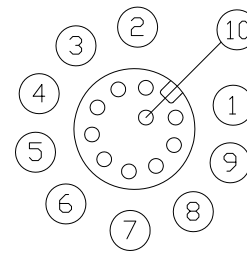


GTC  
DOC.CENTER.ISSUE  
OCT.26.2016  
ONLY FOR  
RELEASE



1	Black
2	Brown
3	Red
4	Orange
5	Yellow
6	Green
7	Blue
8	Violet
9	Gray
10	White

Wiring Diagram



Pin Assignment

GT234134-04101-10	10000 mm	±500
GT234134-04101-09	9000 mm	±450
GT234134-04101-08	8000 mm	±400
GT234134-04101-07	7000 mm	±350
GT234134-04101-06	6000 mm	±300
GT234134-04101-05	5000 mm	±250
GT234134-04101-04	4000 mm	±200
GT234134-04101-03	3000 mm	±150
GT234134-04101-02	2000 mm	±100
GT234134-04101-01	1000 mm	±50
GT234134-04101-Z9	900 mm	±40
GT234134-04101-Z5	500 mm	±40
GT234134-04101-Z3	300 mm	±40
Part No.	Cable Length	Tol.

7	Gland Pin	Thermoplastic Color: Black	2
6	Cable	UL2464 26AWG*10C+Al/My+D (UV) PVC, OD=6.0mm, Color:Black	1
5	Over Mold	PVC Color: Black	1
4	Inner Mold	Thermoplastic Color: White	1
3	Contacts	Copper Alloy Finish: Au Plated	10
2	Housing	Thermoplastic Color: Black	1
1	Screw Nut	Copper Alloy Finish: Ni Plated	1
Item	Part Name	Material / Finish	Q'ty

M12 A-Coding 1.5A 10P Cable End Male

DRAWING NUMBER  
GT234134-04101-XX  
REV.  
A0

GT Contact CO.,LTD

NOTICE OF PROPRIETARY PROPERTY:  
THE INFORMATION CONTAINED HEREIN IS THE PROPRIETARY PROPERTY OF GT Contact CO.,LTD THE POSSESSOR AGREES TO THE FOLLOWING:  
(a) TO MAINTAIN THIS DOCUMENT IN CONFIDENCE  
(b) NOT TO REPRODUCE OR COPY IT  
(c) NOT TO REVEAL OR PUBLISH IT IN WHOLE OR PART  
(d) ALL RIGHTS RESERVED

	B	2:1	Edwin 06/27/11	Ray 06/27/11	Ray 06/27/11	X.X ± 0.5 X.XX ± 0.2	X.XXX ± 0.05 ANGLES ± 1°	mm	1/1
THIRD ANGLE PROJECTION	SIZE	SCALE	DRAW / DATE	CHECK / DATE	APPROVE / DATE	TOLERANCES		UNIT	SHEET