

1

2

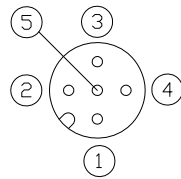
3

4

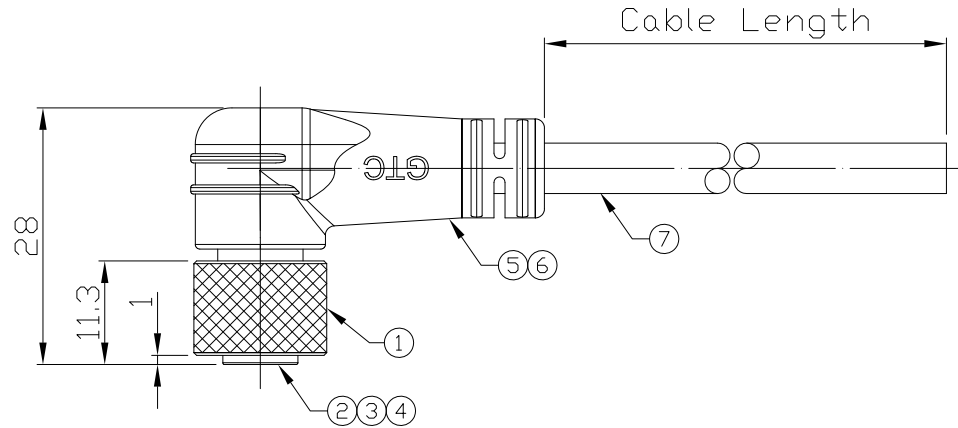
Notes: (Unless Otherwise Specified)

- 1. Waterproof Rate: IP68.
- 2. Durability 100 Cycles Min.
- 3. DWV: 1000 Vrms
- 4. Rated Voltage: 60V AC/DC.
- 5. Insulation Resistance: 100 MΩ Min.
- 6. RoHS Compliant.

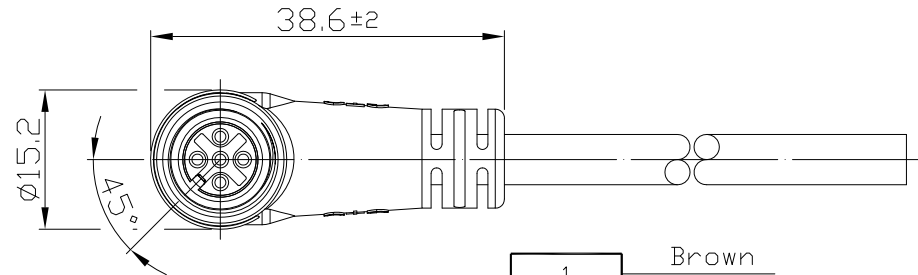
REV	ECN#	DESCRIPTION OF REVISION	DRAW BY DATE	CHECK BY DATE	APPROVE BY DATE
A1	ECN-150808	Modify Housing Type & Cancel Base	Joyce 08/17/15	Lucas 08/17/15	Ray 08/17/15



Pin Assignment



GTC
 DOC.CENTER.ISSUE
 AUG.19.2015
 ONLY FOR
 RELEASE



1	Brown
2	Orange
3	Black
4	Yellow
5	Red

Wiring Diagram

GT234125-22051-10	10000 mm	±500
GT234125-22051-09	9000 mm	±450
GT234125-22051-08	8000 mm	±400
GT234125-22051-07	7000 mm	±150
GT234125-22051-06	6000 mm	±150
GT234125-22051-05	5000 mm	±150
GT234125-22051-04	4000 mm	±150
GT234125-22051-03	3000 mm	±150
GT234125-22051-02	2000 mm	±100
GT234124-22051-01	1000 mm	±50
GT234124-22051-Z9	900 mm	±40
GT234125-22051-Z8	800 mm	±40
GT234125-22051-Z7	700 mm	±40
GT234125-22051-Z6	600 mm	±40
GT234125-22051-Z5	500 mm	±40
GT234125-22051-Z4	400 mm	±20
GT234125-22051-Z3	300 mm	±20
GT234125-22051-Z2	200 mm	±10
Part No.	Cable Length	Tol.

Item	Part Name	Material / Finish	Qty
7	Cable	UL2464 22AWG*5C+Talc OD=5.5mm;Color: Black	1
6	Over Mold	PVC Color: Black	1
5	Inner Mold	Thermoplastic Color: White Or Black	1
4	Contacts	Copper Alloy Finish: Au Plated	5
3	O-Ring	Silicone Color: Red	1
2	Housing	Thermoplastic Color: Black	1
1	Screw Nut	Copper Alloy Finish: Ni Plated	1

TITLE						DRAWING NUMBER			REV.	
M12 A-Coding 4A 5P Cable End 90° Female						GT234125-22051-XX			A1	
	B	1:1	Joyce 08/15/13	Lucas 08/15/13	Ray 08/15/13	X.X ± 0.5	X.XXX ± 0.05	mm	1/1	
THIRD ANGLE PROJECTION	SIZE	SCALE	DRAW / DATE	CHECK / DATE	APPROVE / DATE	TOLERANCES		UNIT	SHEET	

GT Contact CO.,LTD

NOTICE OF PROPRIETARY PROPERTY:
 THE INFORMATION CONTAINED HEREIN IS THE PROPRIETARY PROPERTY OF GT Contact CO.,LTD THE POSSESSOR AGREES TO THE FOLLOWING:
 (i) TO MAINTAIN THIS DOCUMENT IN CONFIDENCE
 (ii) NOT TO REPRODUCE OR COPY IT
 (iii) NOT TO REVEAL OR PUBLISH IT IN WHOLE OR PART
 (iv) ALL RIGHTS RESERVED

1

2

3

4