

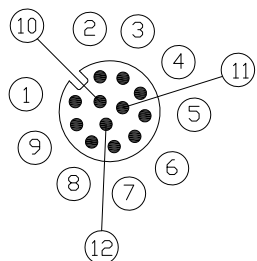
Notes: (Unless Otherwise Specified)

- 1. Waterproof Rate: IP68.
- 2. Durability: 100 Cycles Min.
- 3. DWV: 500 Vrms
- 4. Rated Voltage: 30V AC/DC.
- 5. Insulation Resistance: 100 MΩ Min.
- 6. RoHS Compliant.

REV	ECN#	DESCRIPTION OF REVISION	DRAW BY DATE	CHECK BY DATE	APPROVE BY DATE
A0	ECN-141005	Mass Production	Edwin 10/06/14	Lucas 10/06/14	Ray 10/06/14

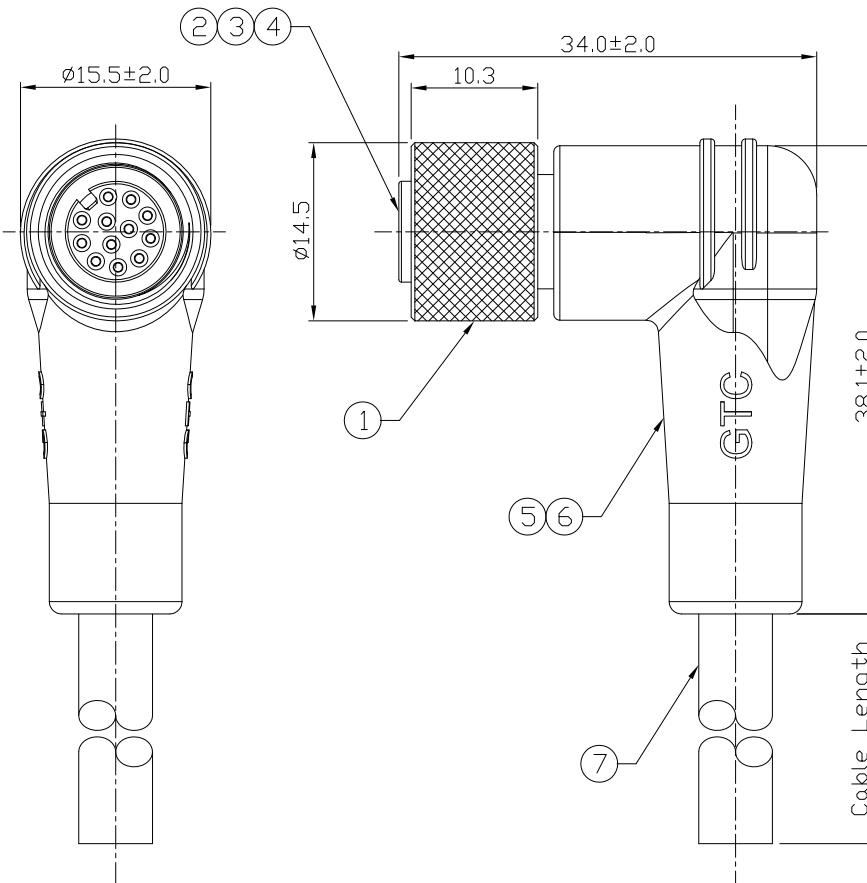
GTC
 DOC.CENTER.ISSUE
 OCT.22.2014
 ONLY FOR
 RELEASE

1	Black
2	Brown
3	Red
4	Orange
5	Yellow
6	Green
7	Blue
8	Purple
9	Gray
10	White
11	Pink
12	Drain



Pin Assignment

Wiring Diagram



Cable Length

Part No.	Cable Length	Tol.
GT234125-04121-10	10000 mm	±500
GT234125-04121-09	9000 mm	±450
GT234125-04121-08	8000 mm	±400
GT234125-04121-07	7000 mm	±150
GT234125-04121-06	6000 mm	±150
GT234125-04121-05	5000 mm	±150
GT234125-04121-04	4000 mm	±150
GT234125-04121-03	3000 mm	±150
GT234125-04121-02	2000 mm	±100
GT234125-04121-01	1000 mm	±50
GT234125-04121-Z9	900 mm	±40
GT234125-04121-Z8	800 mm	±40
GT234125-04121-Z7	700 mm	±40
GT234125-04121-Z6	600 mm	±40
GT234125-04121-Z5	500 mm	±40
GT234125-04121-Z4	400 mm	±20
GT234125-04121-Z3	300 mm	±20
GT234125-04121-Z2	200 mm	±10

Item	Part Name	Material / Finish	Q'ty
7	Cable	UL2464 26AWG*12C+Al/My+D OD=6.0±0.2mm, Color: Black	1
6	Over Mold	PVC Color: Black	1
5	Inner Mold	Thermoplastic Color: White Or Black	1
4	O-Ring	Silicone Color: Red	1
3	Contacts	Copper Alloy Finish: Au Plated	12
2	Housing	Thermoplastic Color: Black	1
1	Screw Nut	Copper Alloy Finish: Ni Plated	1

TITTLE M12 A-Coding 1.5A 12P Cable End 90° Female				DRAWING NUMBER GT234125-04121-XX			REV. A0	
--	--	--	--	-------------------------------------	--	--	------------	--

THIRD ANGLE PROJECTION	SIZE	SCALE	DRAW / DATE	CHECK / DATE	APPROVE / DATE	TOLERANCES	UNIT	SHEET
	B	N/A	Edwin 10/06/14	Lucas 10/06/14	Ray 10/06/14	X.X ± 0.5 X.XX ± 0.2 ANGLES ± 1°	mm	1/1

GT Contact CO.,LTD

NOTICE OF PROPRIETARY PROPERTY:

THE INFORMATION CONTAINED HEREIN IS THE PROPRIETARY PROPERTY OF GT Contact CO.,LTD THE POSSESSOR AGREES TO THE FOLLOWING:
 (A) TO MAINTAIN THIS DOCUMENT IN CONFIDENCE
 (B) NOT TO REPRODUCE OR COPY IT
 (C) NOT TO REVEAL OR PUBLISH IT IN WHOLE OR PART
 (D) ALL RIGHTS RESERVED