

1

2

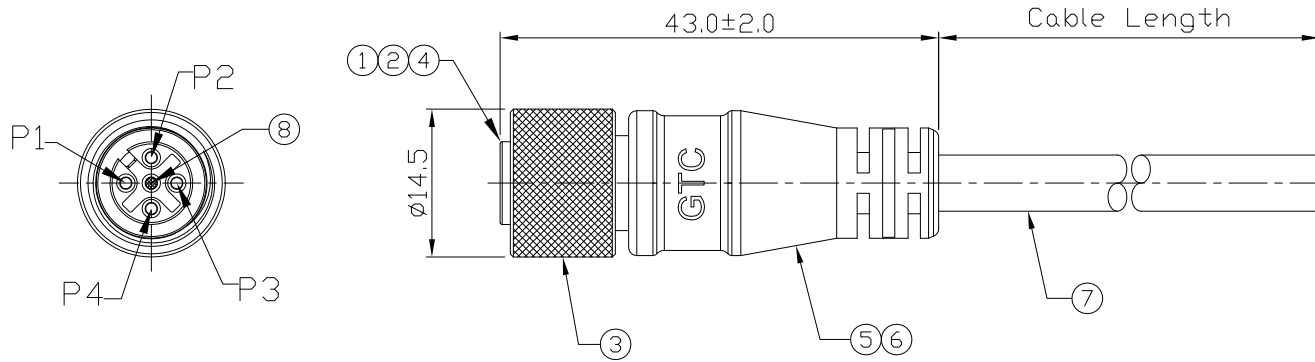
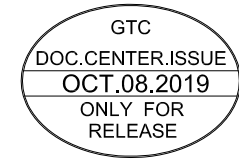
3

4

Notes: (Unless Otherwise Specified)

- 1. Water Proof Rate: IP68.
- 2. RoHS Compliant

REV	ECN#	DESCRIPTION OF REVISION	DRAW BY DATE	CHECK BY DATE	APPROVE BY DATE
01			Lucas 10/08/19	Lucas 10/08/19	Ray 10/08/19



GT234124-2204D-10	10000 mm	+500
GT234124-2204D-09	9000 mm	+450
GT234124-2204D-08	8000 mm	+400
GT234124-2204D-07	7000 mm	+150
GT234124-2204D-06	6000 mm	+150
GT234124-2204D-05	5000 mm	+150
GT234124-2204D-04	4000 mm	+150
GT234124-2204D-03	3000 mm	+100
GT234124-2204D-02	2000 mm	+100
GT234124-2204D-01	1000 mm	+50
GT234124-2204D-Z9	900 mm	+50
GT234124-2204D-Z8	800 mm	+50
GT234124-2204D-Z7	700 mm	+50
GT234124-2204D-Z6	600 mm	+50
GT234124-2204D-Z5	500 mm	+50
GT234124-2204D-Z4	400 mm	+50
GT234124-2204D-Z3	300 mm	+25
GT234124-2204D-Z2	200 mm	+25
Part No.	Cable Length	Tol.

8	Gland Pin	Thermoplastic Color: Black	1
7	Cable	UL2464 18AWG*4C, OD=6.0mm Color: Black	1
6	Over Mold	PVC Color: Black	1
5	Inner Mold	Thermoplastic Color: White Or Black	1
4	O-Ring	Silicone Color: Red	1
3	Screw Nut	Thermoplastic Color: Black	1
2	Contacts	Copper Alloy Finish: Au Plated	4
1	Housing	Thermoplastic Color: Black	1
Item	Part Name	Material / Finish	Qty

1	Black
2	White
3	Red
4	Green

Wiring Diagram

TITLE						DRAWING NUMBER			REV.
M12 A-Coding 7A 4P Cable End Female With 18AWG Cable						GT234124-2204D-XX			01
	B	N/A	Lucas 10/08/19	Lucas 10/08/19	Ray 10/08/19	XX ± 0.5 X.XX ± 0.2	X.XXX ± 0.05 ANGLES ± 1°	mm	1/1
THIRD ANGLE PROJECTION	SIZE	SCALE	DRAW / DATE	CHECK / DATE	APPROVE / DATE	TOLERANCES		UNIT	SHEET

GT Contact CO.,LTD

NOTICE OF PROPRIETARY PROPERTY:  
 THE INFORMATION CONTAINED HEREIN IS THE PROPRIETARY PROPERTY OF GT Contact CO.,LTD THE POSSESSOR AGREES TO THE FOLLOWING:  
 (a) TO MAINTAIN THIS DOCUMENT IN CONFIDENCE  
 (b) NOT TO REPRODUCE OR COPY IT  
 (c) NOT TO REVEAL OR PUBLISH IT IN WHOLE OR PART  
 (d) ALL RIGHTS RESERVED

1

2

3

4