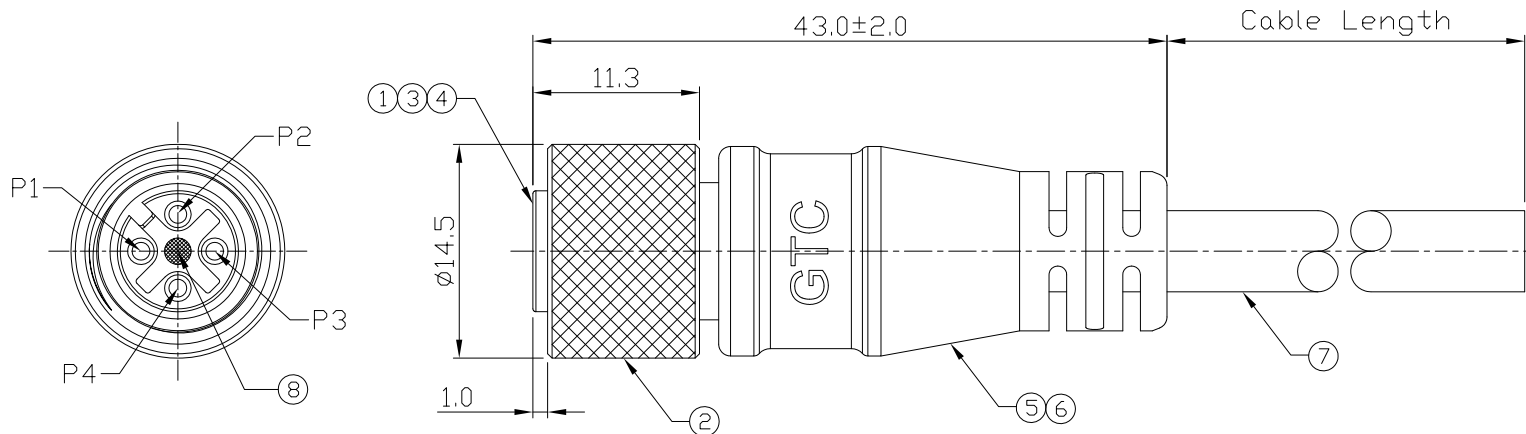


Notes: (Unless Otherwise Specified)
 1. WaterProof Rate : IP68
 2. RoHS & REACH Compliant.

REV	ECN#	DESCRIPTION OF REVISION	DRAW BY DATE	CHECK BY DATE	APPROVE BY DATE
A0		Mass Production	Vicky 12/13/10	Ray 12/13/10	Ray 12/13/10
A1		Added P/N	Joyce 04/23/12	Lucas 04/23/12	Ray 04/23/12



Item	Part Name	Material / Finish	Q'ty
8	Gland Pin	Thermoplastic Color: Black	1
7	Cable	UL2464 22AWG*4C+(UV) Color: Black, OD=5.0mm	1
6	Over Mold	PVC Color: Black	1
5	Inner Mold	Thermal Plastic Color: White Or Black	1
4	O-Ring	Silicone Color: Red	1
3	Contacts	Copper Alloy Finish: Au Plated	4
2	Screw Nut	Copper Alloy Finish: Ni Plated	1
1	Housing	Thermoplastic Color: Black	1

GTC
 DOC.CENTER.ISSUE
 OCT.26.2016
 ONLY FOR
 RELEASE

1	Brown
2	Orange
3	Black
4	Red

Wiring Diagram

Part No.	Cable Length	Tol.
GT234124-22041-10	10000 mm	±500
GT234124-22041-09	9000 mm	±450
GT234124-22041-08	8000 mm	±400
GT234124-22041-07	7000 mm	±350
GT234124-22041-06	6000 mm	±300
GT234124-22041-05	5000 mm	±250
GT234124-22041-04	4000 mm	±200
GT234124-22041-03	3000 mm	±150
GT234124-22041-02	2000 mm	±100
GT234124-22041-01	1000 mm	±50
GT234124-22041-Z9	900 mm	±40
GT234124-22041-Z8	800 mm	±40
GT234124-22041-Z7	700 mm	±40
GT234124-22041-Z6	600 mm	±40
GT234124-22041-Z5	500 mm	±40
GT234124-22041-Z4	400 mm	±20
GT234124-22041-Z3	300 mm	±20
GT234124-22041-Z2	200 mm	±10

TITLE						DRAWING NUMBER		REV.
M12 A-Coding 4A 4P Cable End Female						GT234124-22041-XX		A1
THIRD ANGLE PROJECTION	SIZE	SCALE	DRAW / DATE	CHECK / DATE	APPROVE / DATE	TOLERANCES	UNIT	SHEET
	B	2:1	Vicky 12/13/10	Ray 12/13/10	Ray 12/13/10	X.X ± 0.5 X.XX ± 0.2	X.XXX ± 0.05 ANGLES ± 1°	mm 1/1

GT Contact CO.,LTD

NOTICE OF PROPRIETARY PROPERTY:
 THE INFORMATION CONTAINED HEREIN IS THE PROPRIETARY PROPERTY OF GT Contact CO.,LTD THE POSSESSOR AGREES TO THE FOLLOWING:
 (a) TO MAINTAIN THIS DOCUMENT IN CONFIDENCE
 (b) NOT TO REPRODUCE OR COPY IT
 (c) NOT TO REVEAL OR PUBLISH IT IN WHOLE OR PART
 (d) ALL RIGHTS RESERVED