

1

2

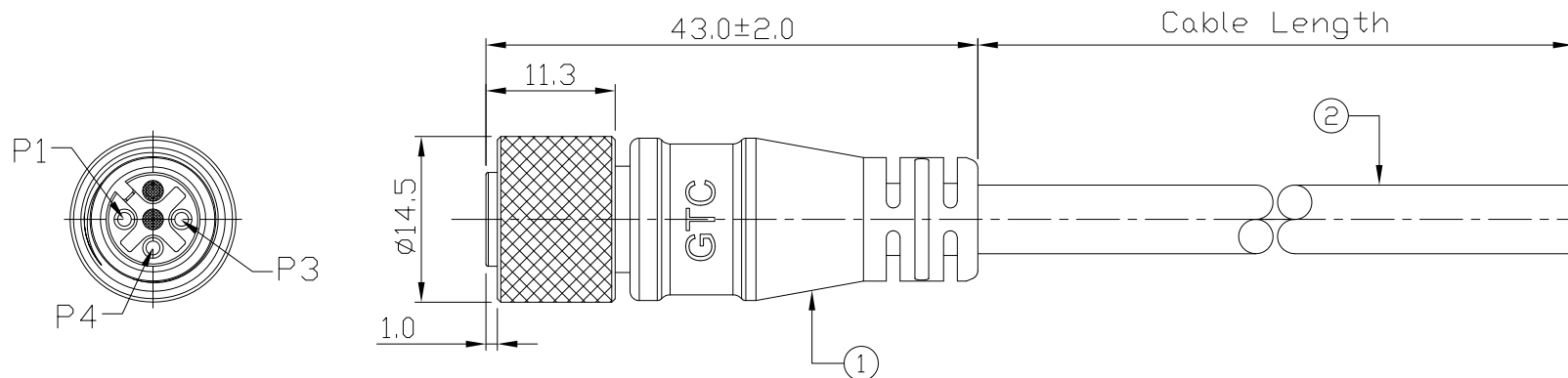
3

4

Notes: (Unless Otherwise Specified)

- 1. Waterproof Rate: IP68.
- 2. RoHS Compliant.

| REV | ECN# | DESCRIPTION OF REVISION | DRAW BY DATE | CHECK BY DATE | APPROVE BY DATE |
|-----|------|-------------------------|-----------------|----------------|-----------------|
| A0 | | | Aileen 11/09/20 | Lucas 11/09/20 | Ray 11/09/20 |



| | | |
|-------------------|----------|------|
| GT234124-2203D-10 | 10000 mm | +500 |
| GT234124-2203D-09 | 9000 mm | +450 |
| GT234124-2203D-08 | 8000 mm | +400 |
| GT234124-2203D-07 | 7000 mm | +150 |
| GT234124-2203D-06 | 6000 mm | +150 |
| GT234124-2203D-05 | 5000 mm | +150 |
| GT234124-2203D-04 | 4000 mm | +150 |
| GT234124-2203D-03 | 3000 mm | +100 |
| GT234124-2203D-02 | 2000 mm | +100 |
| GT234124-2203D-01 | 1000 mm | +50 |
| GT234124-2203D-Z9 | 900 mm | +50 |
| GT234124-2203D-Z8 | 800 mm | +50 |
| GT234124-2203D-Z7 | 700 mm | +50 |
| GT234124-2203D-Z6 | 600 mm | +50 |
| GT234124-2203D-Z5 | 500 mm | +50 |
| GT234124-2203D-Z4 | 400 mm | +50 |
| GT234124-2203D-Z3 | 300 mm | +25 |
| GT234124-2203D-Z2 | 200 mm | +25 |
| GT234124-2203D-Z1 | 100 mm | +25 |



| | |
|---|-------|
| 1 | Red |
| 3 | White |
| 4 | Black |

Wiring Diagram

| Item | Part Name | Material / Finish | Q'ty |
|------|-------------------------------------|--|------|
| 2 | Cable | UL2464 18AWG*3C+Al/My+Jacket Color: Black , OD=6.0mm | 1 |
| 1 | M12 A-Coding 4A 3P Cable End Female | GT Contact P/N: GT234124-2203D | 1 |

| Part No. | Cable Length | Tol. |
|----------|--------------|------|
|----------|--------------|------|

GT Contact CO.,LTD

NOTICE OF PROPRIETARY PROPERTY:
 THE INFORMATION CONTAINED HEREIN IS THE PROPRIETARY PROPERTY OF GT Contact CO.,LTD THE POSSESSOR AGREES TO THE FOLLOWING:
 (a) TO MAINTAIN THIS DOCUMENT IN CONFIDENCE
 (b) NOT TO REPRODUCE OR COPY IT
 (c) NOT TO REVEAL OR PUBLISH IT IN WHOLE OR PART
 (d) ALL RIGHTS RESERVED

| TITLE | | | | | | DRAWING NUMBER | | | REV. |
|--|------|-------|-----------------|----------------|----------------|-------------------------|-----------------------------|------|-------|
| M12 A-Coding 4A 3P Cable End Female With Cable | | | | | | GT234124-2203D-XX | | | A0 |
| | B | 1:1 | Aileen 11/09/20 | Lucas 11/09/20 | Ray 11/09/20 | X.X ± 0.5 X.XX ± 0.2 | X.XXX ± 0.05 ANGLES ± 1° | mm | 1/1 |
| THIRD ANGLE PROJECTION | SIZE | SCALE | DRAW / DATE | CHECK / DATE | APPROVE / DATE | TOLERANCES | | UNIT | SHEET |

1

2

3

4