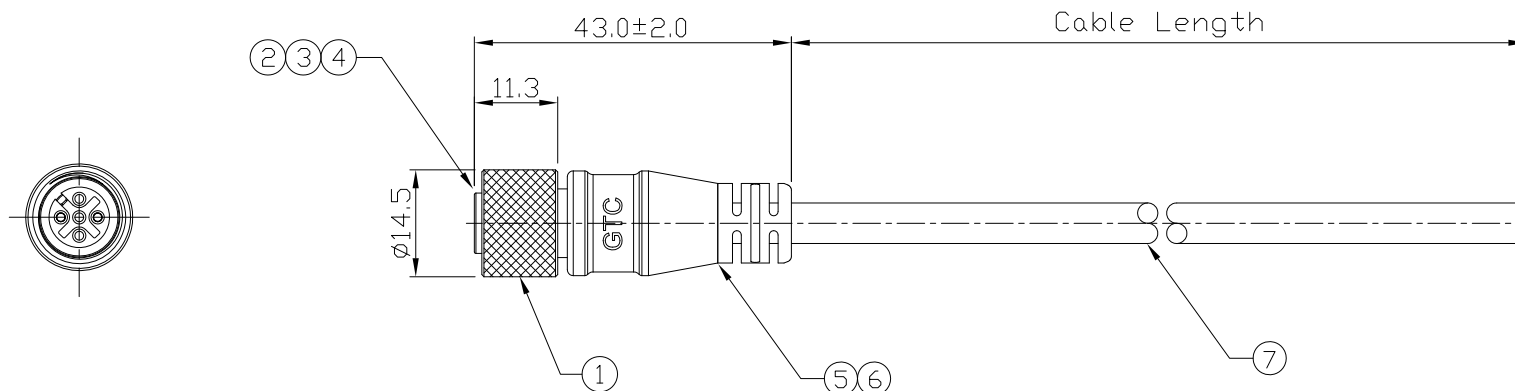


Notes: (Unless Otherwise Specified)

1. Waterproof Rate : IP68.
2. Durability: 100 Cycles Min.
3. DWV: 1400 Vrms
4. Rated Voltage: 250V AC/DC
5. Insulation Resistance: 100 MΩ Min.
6. RoHS Compliant.

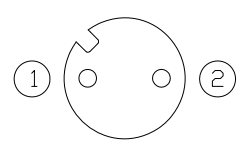
REV	ECN#	DESCRIPTION OF REVISION	DRAW BY DATE	CHECK BY DATE	APPROVE BY DATE
A0		Mass Production	Joyce 04/09/12	Lucas 04/09/12	Ray 04/09/12
A1	ECN-150808	Modify Housing Type & Cancel Base	Joyce 08/14/15	Lucas 08/14/15	Ray 08/14/15



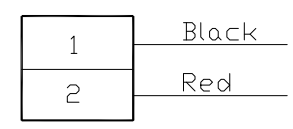
GTC
DOC.CENTER.ISSUE
AUG.19.2015
ONLY FOR
RELEASE

GT234124-22021-10	10000 mm	±500
GT234124-22021-09	9000 mm	±450
GT234124-22021-08	8000 mm	±400
GT234124-22021-07	7000 mm	±150
GT234124-22021-06	6000 mm	±150
GT234124-22021-05	5000 mm	±150
GT234124-22021-04	4000 mm	±150
GT234124-22021-03	3000 mm	±150
GT234124-22021-02	2000 mm	±100
GT234124-22021-01	1000 mm	±50
GT234124-22021-Z9	900 mm	±40
GT234124-22021-Z8	800 mm	±40
GT234124-22021-Z7	700 mm	±40
GT234124-22021-Z6	600 mm	±40
GT234124-22021-Z5	500 mm	±40
GT234124-22021-Z4	400 mm	±20
GT234124-22021-Z3	300 mm	±20
GT234124-22021-Z2	200 mm	±10
Part No.	Cable Length	Tol.

7	Cable	UL2464 22AWG*2C+Al/My+D (UV) PVC, OD=5.0mm, Color:Black	1
6	Over Mold	PVC Color: Black	1
5	Inner Mold	Thermoplastic Color: White	1
4	D-Ring	Silicone Color: Red	1
3	Contacts	Copper Alloy Finish: Au Plated	2
2	Housing	Thermoplastic Color: Black	1
1	Screw Nut	Copper Alloy Finish: Ni Plated	1
Item	Part Name	Material / Finish	Q'ty



Pin Assignment



Wiring Diagram

M12 A-Coding 4A 2P Cable End Female						DRAWING NUMBER GT234124-22021-XX		REV. A1
THIRD ANGLE PROJECTION	SIZE	SCALE	DRAW / DATE	CHECK / DATE	APPROVE / DATE	TOLERANCES		SHEET
	B	1:1	Edwin 12/28/09	Ray 12/28/09	Ray 12/28/09	X.X ± 0.5 X.XX ± 0.2	X.XXX ± 0.05 ANGLES ± 1°	mm 1/1

GT Contact CO.,LTD

NOTICE OF PROPRIETARY PROPERTY:

THE INFORMATION CONTAINED HEREIN IS THE PROPRIETARY PROPERTY OF GT Contact CO.,LTD THE POSSESSOR AGREES TO THE FOLLOWING:

(a) TO MAINTAIN THIS DOCUMENT IN CONFIDENCE
 (b) NOT TO REPRODUCE OR COPY IT
 (c) NOT TO REVEAL OR PUBLISH IT IN WHOLE OR PART
 (d) ALL RIGHTS RESERVED