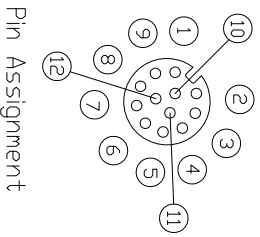
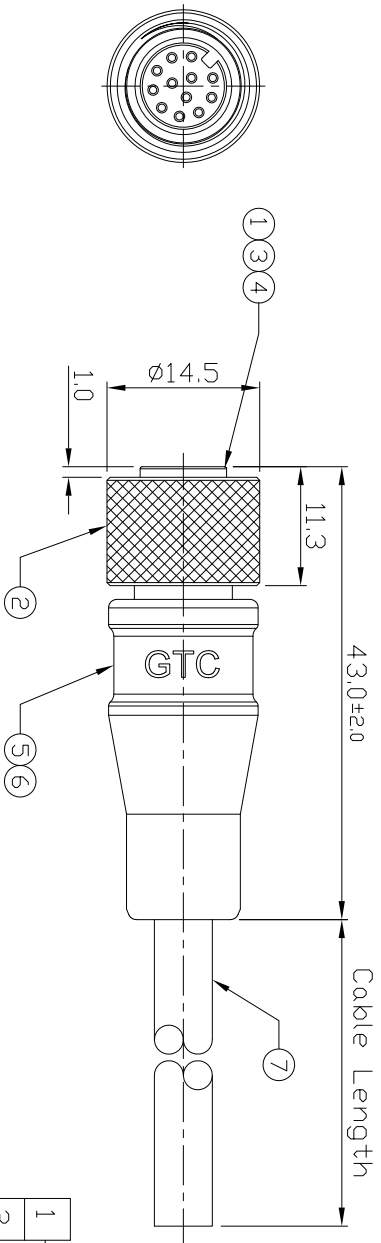


- NOTES: (Unless Otherwise Specified)
1. Waterproof Rating: IPX8 (Mating).
 2. Durability: 100 Cycles Min.
 3. DWV: 500 Vrms
 4. Rated Voltage: 30V AC/DC.
 5. Insulation Resistance: 100 M OHM Min.
 6. RoHS Compliant.



GTC
DOC CENTER/ISSUE
APR. 12, 2012
ONLY FOR
RELEASE

Pin No.	Color
1	Black
2	Brown
3	Red
4	Orange
5	Yellow
6	Green
7	Blue
8	Purple
9	Gray
10	White
11	Pink
12	Light Green

Wiring Diagram

Item	Part Name	Material / Finish	Qty
7	Cable	UL2464 26AWG/12C+AI/My+D Color: Black, OD=6.0mm	1
6	Diver Mold	PVC Color: Black	1
5	Inner Mold	Thermoplastic Color: White	1
4	O-Ring	Silicone Color: Red	1
3	Contacts	Copper Alloy Finish: Au Plated	12
2	Screw Nut	Copper Alloy Finish: Ni Plated	1
1	Housing	Thermoplastic Color: Black	1

REV	ECN#	DESCRIPTION OF REVISION	DRAW BY	CHECK BY	APPROVE BY
A0		Mass Production	Joyce	Lucas	Roy

TITLE M12 A-Coding 1.5A 12P Cable End Female

THIRD ANGLE PROJECTION	SIZE	SCALE	DRAW / DATE	CHECK / DATE	APPROVE / DATE	TOLERANCES	UNIT	SHEET
	B	1:1	Edwin 05/05/10	Roy 05/05/10	Roy 05/05/10	± 0.5 ANGLES ± 1°	mm	1/1

DRAWING NUMBER GT234124-04121-XX REV. A0

GT Contact CD,LTID

Part No.	Cable Length	Tol.
GT234124-04121-10	1000 mm	±500
GT234124-04121-09	900 mm	±450
GT234124-04121-08	800 mm	±400
GT234124-04121-07	700 mm	±350
GT234124-04121-06	600 mm	±300
GT234124-04121-05	500 mm	±250
GT234124-04121-04	400 mm	±200
GT234124-04121-03	300 mm	±150
GT234124-04121-02	200 mm	±100
GT234124-04121-01	1000 mm	±50
GT234124-04121-29	900 mm	±40
GT234124-04121-28	800 mm	±40
GT234124-04121-27	700 mm	±40
GT234124-04121-26	600 mm	±40
GT234124-04121-25	500 mm	±40
GT234124-04121-24	400 mm	±20
GT234124-04121-23	300 mm	±20
GT234124-04121-22	200 mm	±10

NOTICE OF PROPRIETARY PROPERTY:
THE INFORMATION CONTAINED HEREIN IS THE PROPRIETARY PROPERTY OF GT Contact COLTD THE POSSESSOR AGREES TO MAINTAIN THIS INFORMATION IN CONFIDENCE AND NOT TO REPRODUCE, PUBLISH IT IN WHOLE OR PART (S) ALL RIGHTS RESERVED