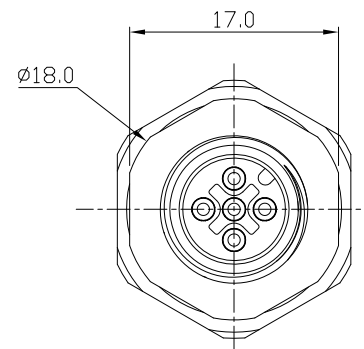
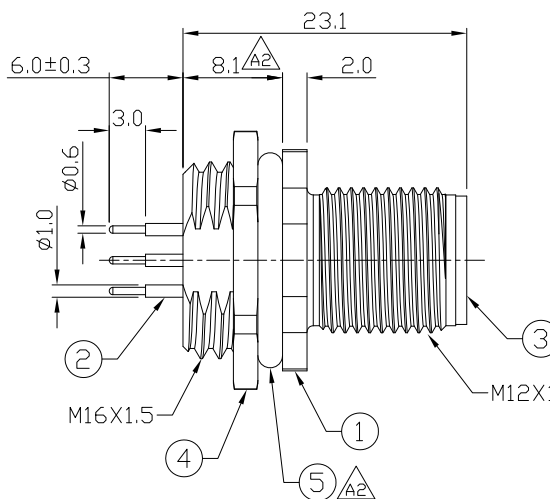
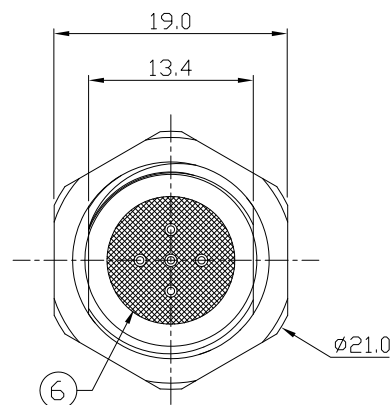
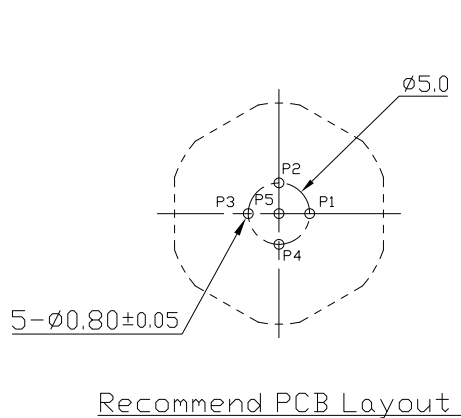


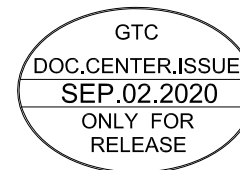
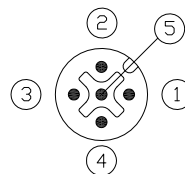
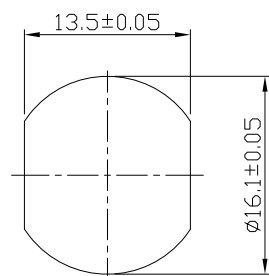
Notes: (Unless Otherwise Specified)

1. Waterproof Rate: IP68.
- $\triangle A2$  2. Recommend Panel Thickness: 0.8 To 3.0 mm.
- $\triangle A3$  3. Recommend Torque: 14~15 Kgf-cm.
4. Durability: 100 Cycles Min.
5. DWV: 1000 Vrms
6. Rated Voltage: 60V AC/DC.
7. Insulation Resistance: 100 M $\Omega$  Min.
8. RoHS Compliant.

REV	ECN#	DESCRIPTION OF REVISION	DRAW BY DATE	CHECK BY DATE	APPROVE BY DATE
A2	ECN-200124	1. Marked Modify Dimensions: 7.0 --> 8.1mm 2. Modify Material Item No.5 NBR --> Silicone 3. Modify Notes: No.2 Recommend Panel Thickness: 0.8 To 3.0 mm	Hank 01/30/20	Lucas 01/30/20	Ray 01/30/20
A3	ECN-200821	Change Torque Of Screw Tightening 9~10 kgf/cm -> 14~15 kgf/cm.	Aileen 09/01/20	Lucas 09/01/20	Ray 09/01/20



6	Glue	Epoxy Color: Black	
5	O-Ring	Silicone Color: Black	1 $\triangle A2$
4	Hex Nut	Copper Alloy Finish: Ni Plated	1
3	Housing	Thermoplastic Color: Black	1
2	Contacts	Copper Alloy Finish: Au Plated	5
1	Metal Body	Copper Alloy Finish: Ni Plated	1
Item	Part Name	Material / Finish	Qty



TITLE						DRAWING NUMBER			REV.
M12 A-Coding 4A 5P Panel Rear Mount Male Dip						GT234113-12050			A3
	B	2:1	Edwin 05/31/12	Lucas 05/31/12	Ray 05/31/12	X.X ± 0.5 X.XX ± 0.2	ANGLES ± 1°	mm	1/2
THIRD ANGLE PROJECTION	SIZE	SCALE	DRAW / DATE	CHECK / DATE	APPROVE / DATE	TOLERANCES		UNIT	SHEET

GT Contact CO.,LTD

NOTICE OF PROPRIETARY PROPERTY:  
THE INFORMATION CONTAINED HEREIN IS THE PROPRIETARY PROPERTY OF GT Contact CO.,LTD THE POSSESSOR AGREES TO THE FOLLOWING:  
(i) TO MAINTAIN THIS DOCUMENT IN CONFIDENCE  
(ii) NOT TO REPRODUCE OR COPY IT  
(iii) NOT TO REVEAL OR PUBLISH IT IN WHOLE OR PART  
(iv) ALL RIGHTS RESERVED

1

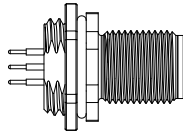
2

3

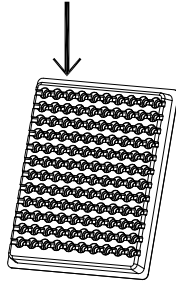
4

REV	ECN#	DESCRIPTION OF REVISION	DRAW BY DATE	CHECK BY DATE	APPROVE BY DATE
A2	ECN-200124	1. Marked Modify Dimensions: 7.0 --> 8.1mm 2. Modify Material Item No.5 NBR --> Silicone 3. Modify Notes: No.2 Recommend Panel Thickness: 0.8 To 3.0 mm	Hank 01/30/20	Lucas 01/30/20	Ray 01/30/20
A3	ECN-200821	Change Torque Of Screw Tightening 9~10 kgf/cm -> 14~15 kgf/cm.	Aileen 09/01/20	Lucas 09/01/20	Ray 09/01/20

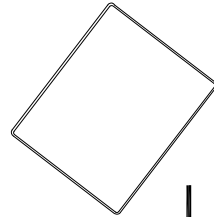
成品圖示



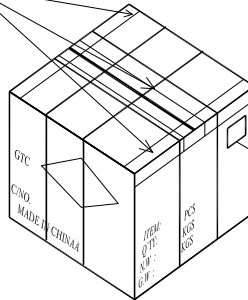
T1:將成品依次放入到吸塑盒內  
并蓋上吸塑盒上蓋  
72成品/盒



T2:包裝成品隔板



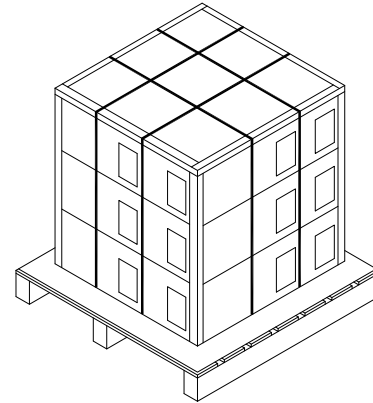
專用膠帶封箱



T6:成品包裝外箱圖示  
720PCS成品/箱



外箱標籤條碼  
貼側面,具體內容及貼  
的位置依客戶訂單而定

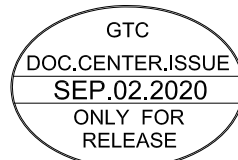


T7:成品貨通圖示

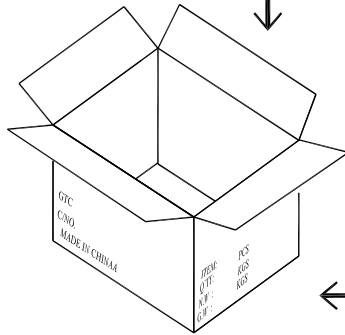
NOTE:

- 1.將檢驗好的成品依次放入到吸塑盒內并蓋上吸塑盒上蓋.
- 2.紙箱內上下各放1PCS 隔板,每箱用2PCS隔板.
- 3.外箱封箱后,需要用打包帶打包.
- 4.封裝的外箱上面,需要貼上條碼標籤.
- 5.每箱限重20公斤.

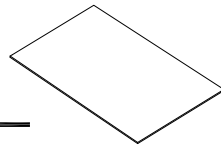
6	標籤	xxx	xxx	xxx	
5	Carton GTC Logo (中箱)	88000-02000	380*315*270	K5K5K	1/720PCS
4	PE Bag(中防水袋)	84100-00280	410*300*750*0.08	PE	1/720PCS
3	Board (中隔板)	86000-02000	350*285*4	B3B	2/720PCS
2	M12 吸塑盒上蓋	85001-00031	85*350*25.45	PVC	1/72PCS
1	M12 Panel 吸塑盒	85001-00021	285*350*25.45	PVC	1/72PCS
	物料	P/N	規格	材質	用量/PCS



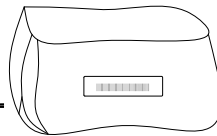
T5:包裝成品外箱  
720PCS/箱



T4:包裝成品隔板  
720成品/2PCS



T3:包裝成品防水袋  
720成品/PCS



TITLE M12 A-Coding 4A 5P Panel Rear Mount Male Dip

DRAWING NUMBER GT234113-12050

REV. A3

THIRD ANGLE PROJECTION

SCALE 2/1

DRAFTER / DATE Edwin 05/31/12

CHECK / DATE Lucas 05/31/12

APPROVE / DATE Ray 05/31/12

TOLERANCES X.X ± 0.10 X.XXX ± 0.02 X.XX ± 0.05 ANGLES ± 0.5°

UNIT mm

SHEET 2/2

GT Contact CO.,LTD

NOTICE OF PROPRIETARY PROPERTY:  
THE INFORMATION CONTAINED HEREIN IS THE PROPRIETARY PROPERTY OF GT Contact CO.,LTD THE POSSESSOR AGREES TO THE FOLLOWING:  
(i) TO MAINTAIN THIS DOCUMENT IN CONFIDENCE  
(ii) NOT TO REPRODUCE OR COPY IT  
(iii) NOT TO REVEAL OR PUBLISH IT IN WHOLE OR PART  
(iv) ALL RIGHTS RESERVED

1

2

3

4

D

D

C

C

B

B

A

A