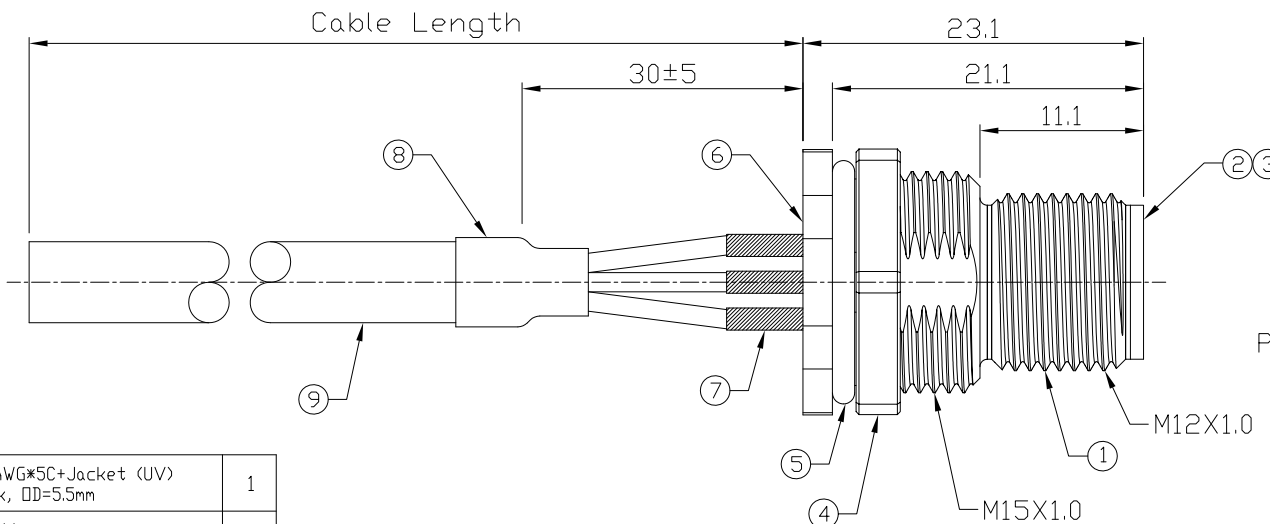


Notes: (Unless Otherwise Specified)

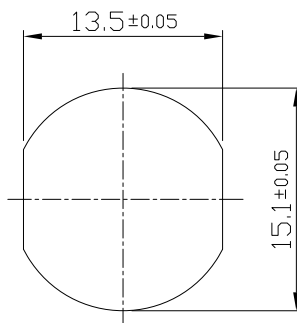
1. Waterproof Rate: IP68
2. Recommend Panel Thickness: 0.8 to 5.0 mm
3. Recommend Torque: 14~15 Kgf-cm
4. Durability: 100 Cycles Min.
5. DWV: 1000 Vrms
6. Rated Voltage: 60V AC/DC
7. Insulation Resistance: 100 MΩ Min.
8. RoHS Compliant.

REV	ECN#	DESCRIPTION OF REVISION	DRAW BY DATE	CHECK BY DATE	APPROVE BY DATE
A2	ECN-200821	Change Torque Of Screw Tightening: 9~10 kgf/cm → 14~15 kgf/cm.	Aileen 08/28/20	Lucas 08/28/20	Ray 08/28/20



GTC
DOC.CENTER.ISSUE
SEP.03.2020
ONLY FOR
RELEASE

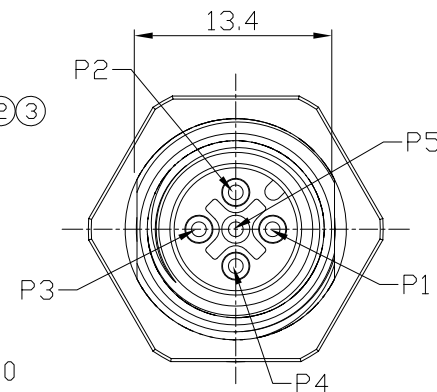
9	Cable	UL2464 22AWG*5C+Jacket (UV) Color: Black, OD=5.5mm	1
8	Shrink Tube	L=20mm, 300V Color: Black	1
7	Shrink Tube	L=10mm, 300V Color: Black	5
6	Glue	Epoxy Color: Black	
5	O-Ring	NBR Color: Black	1
4	Hex Nut	Copper Alloy Finish: Ni Plated	1
3	Housing	Thermoplastic Color: Black	1
2	Contacts	Copper Alloy Finish: Au Plated	5
1	Shielding Case	Copper Alloy Finish: Ni Plated	1
Item	Part Name	Material / Finish	Q'ty



Recommend
Panel Cut-Out

1	Black
2	Brown
3	Red
4	Orange
5	Yellow

Wiring Diagram



GT234112-02051-02	2000 mm	±100
GT234112-02051-01	1000 mm	±50
GT234112-02051-Z9	900 mm	±20
GT234112-02051-Z8	800 mm	±20
GT234112-02051-Z7	700 mm	±20
GT234112-02051-Z6	600 mm	±20
GT234112-02051-Z5	500 mm	±20
GT234112-02051-Z4	400 mm	±10
GT234112-02051-Z3	300 mm	±10
GT234112-02051-Z2	200 mm	±10
GT234112-02051-Z1	100 mm	±10
Part No.	Cable Length	Tol.

GT Contact CO.,LTD

NOTICE OF PROPRIETARY PROPERTY:
THE INFORMATION CONTAINED HEREIN IS THE PROPRIETARY PROPERTY OF GT CONTACT CO.,LTD THE POSSESSOR AGREES TO THE FOLLOWING:
(1) TO MAINTAIN THIS DOCUMENT IN CONFIDENCE
(2) NOT TO REPRODUCE OR COPY IT
(3) NOT TO REVEAL OR PUBLISH IT IN WHOLE OR PART
(4) ALL RIGHTS RESERVED

TITLE						DRAWING NUMBER			REV.	
M12 A-Coding 4A 5P Panel Male With Cable						GT234112-02051-XX			A2	
	B	2:1	Joyce 06/22/11	Lucas 06/22/11	Ray 06/22/11	X.X ± 0.5 X.XX ± 0.2	X.XXX ± 0.05 ANGLES ± 1°	mm	1/1	
THIRD ANGLE PROJECTION	SIZE	SCALE	DRAW / DATE	CHECK / DATE	APPROVE / DATE	TOLERANCES		UNIT	SHEET	