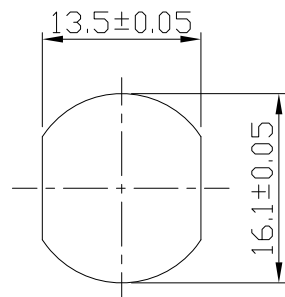


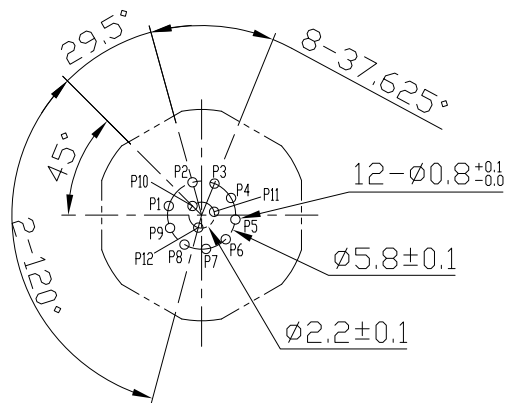
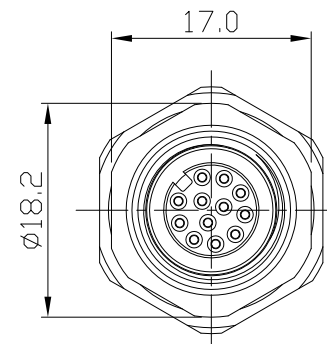
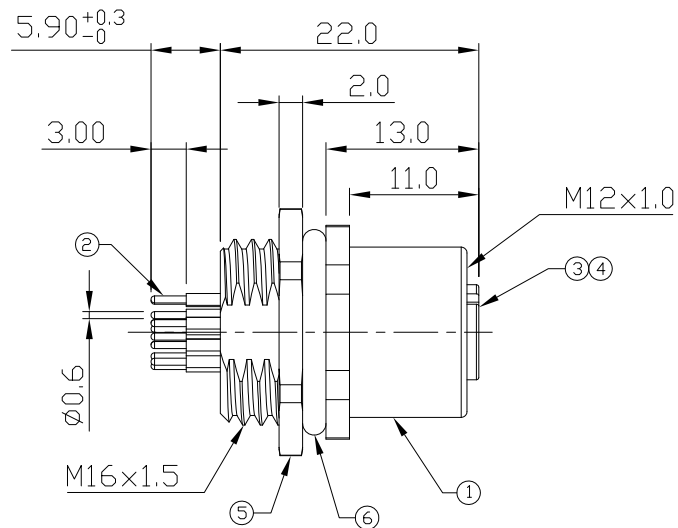
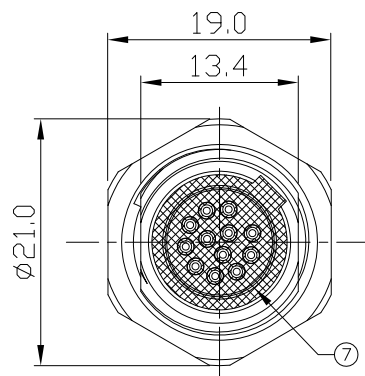
Notes: (Unless Otherwise Specified)

1. Waterproof Rate: IP68.
2. Recommend Panel Thickness: 0.8 to 3.0 mm.
- ⚠️ 3. Recommend Torque: 14~15 Kgf-cm
4. Durability: 100 Cycles Min.
5. DWV: 500 Vrms.
6. Rated Voltage: 30V AC/DC.
7. Insulation Resistance: 100 MΩ Min.
8. RoHS & REACH Compliant.

REV	ECN#	DESCRIPTION OF REVISION	DRAW BY DATE	CHECK BY DATE	APPROVE BY DATE
A1	ECN-200821	Change Torque Of Screw Tightening: 9~10 kgf/cm -> 14~15 kgf/cm.	Aileen 09/02/20	Lucas 09/02/20	Ray 09/02/20

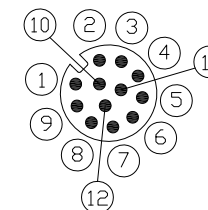


Recommend Panel Cut-Out



Recommend PCB Layout

GTC
DOC.CENTER.ISSUE
SEP.04.2020
ONLY FOR
RELEASE



Pin Assignment

7	Glue	Epoxy Color: Black	
6	O-Ring	Silicone Color: Black	1
5	Hex Nut	Copper Alloy Finish: Ni Plated	1
4	O-Ring	Silicone Color: Red	1
3	Housing	Thermoplastic Color: Black	1
2	Contacts	Copper Alloy Finish: Au Plated	12
1	Metal Body	Copper Alloy Finish: Ni Plated	1
Item	Part Name	Material / Finish	Q'ty

TITLE						DRAWING NUMBER			REV.
M12 A-Coding 1.5A 12P Panel Rear Mount Female Dip						GT234103-14120			A1
	B	N/A	Hank 10/07/06	Lucas 10/07/16	Ray 10/07/16	X.X ± 0.5	X.XXX ± 0.05	mm	1/1
THIRD ANGLE PROJECTION	SIZE	SCALE	DRAW / DATE	CHECK / DATE	APPROVE / DATE	TOLERANCES		UNIT	SHEET

GT Contact CO.,LTD

NOTICE OF PROPRIETARY PROPERTY:
THE INFORMATION CONTAINED HEREIN IS THE PROPRIETARY PROPERTY OF GT Contact CO.,LTD THE POSSESSOR AGREES TO THE FOLLOWING:
① TO MAINTAIN THIS DOCUMENT IN CONFIDENCE
② NOT TO REPRODUCE OR COPY IT
③ NOT TO REVEAL OR PUBLISH IT IN WHOLE OR PART
④ ALL RIGHTS RESERVED