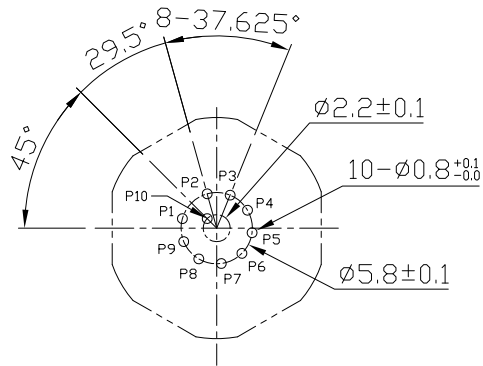


Notes: (Unless Otherwise Specified)

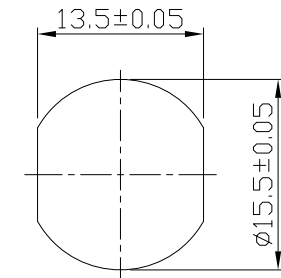
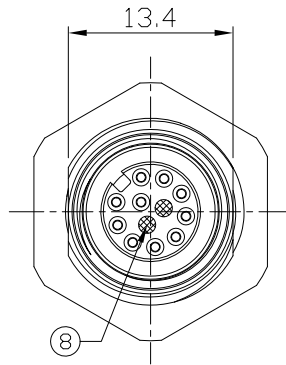
1. Waterproof Rate: IP68.
2. Recommend Panel Thickness: 0.8 To 5.0 mm.
3. Recommend Torque: 14~15 Kgf-cm.
4. Durability: 100 Cycles Min.
5. DWV: 500 Vrms
6. Rated Voltage: 30V AC/DC.
7. Insulation Resistance: 100 MΩ Min.
8. RoHS & REACH Compliant.

02

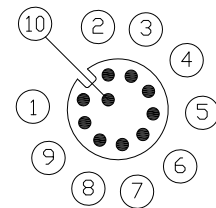
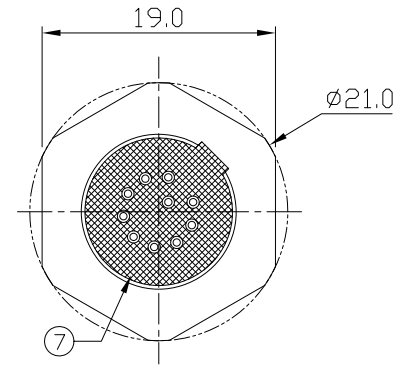
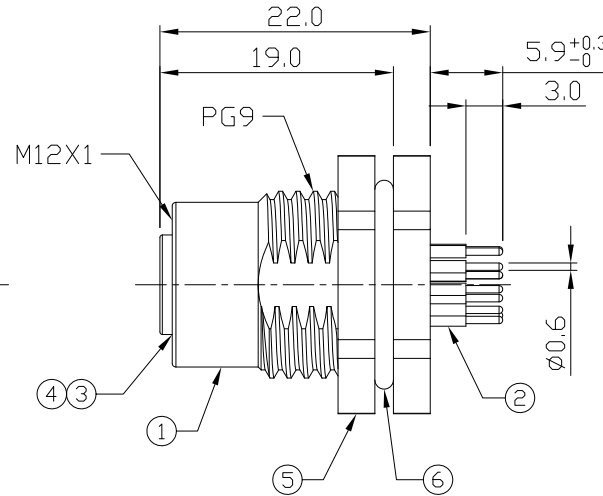
REV	ECN#	DESCRIPTION OF REVISION	DRAW BY DATE	CHECK BY DATE	APPROVE BY DATE
02	ECN-200821	Change Torque Of Screw Tightening: 9~10 kgf/cm → 14~15 kgf/cm.	Aileen 09/04/20	Lucas 09/04/20	Ray 09/04/20



Recommend PCB Layout



Recommend Panel Cut-Out



Pin Assignment

GTC
DOC.CENTER.ISSUE
SEP.07.2020
ONLY FOR
RELEASE

8	Gland Pin	Thermoplastic Color: Black	2
7	Glue	Epoxy Color: Black	
6	O-Ring	NBR Color: Black	1
5	Hex Nut	Copper Alloy Finish: Ni Plated	1
4	O-Ring	Silicone Color: Red	1
3	Housing	Thermoplastic Color: Black	1
2	Contacts	Copper Alloy Finish: Au Plated	10
1	Shielding Case	Copper Alloy Finish: Ni Plated	1
Item	Part Name	Material / Finish	Qty

TITLE						DRAWING NUMBER			REV.	
M12 A-Coding 1.5A 10P Panel Female Dip						GT234102-14100			02	
THIRD ANGLE PROJECTION		SIZE	SCALE	DRAW / DATE	CHECK / DATE	APPROVE / DATE	TOLERANCES	UNIT	SHEET	
		B	1:1	Jimmy 10/25/16	Lucas 10/25/16	Ray 10/25/16	X.X ± 0.5 X.XX ± 0.2	X.XXX ± 0.05	mm	1/1
							ANGLES ± 1°			

GT Contact CO.,LTD

NOTICE OF PROPRIETARY PROPERTY:
THE INFORMATION CONTAINED HEREIN IS THE PROPRIETARY PROPERTY OF GT Contact CO.,LTD THE POSSESSOR AGREES TO THE FOLLOWING:
(i) TO MAINTAIN THIS DOCUMENT IN CONFIDENCE
(ii) NOT TO REPRODUCE OR COPY IT
(iii) NOT TO REVEAL OR PUBLISH IT IN WHOLE OR PART
(iv) ALL RIGHTS RESERVED