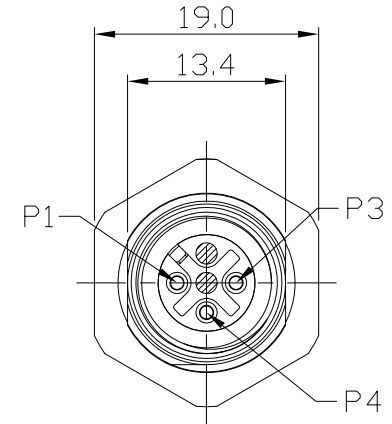
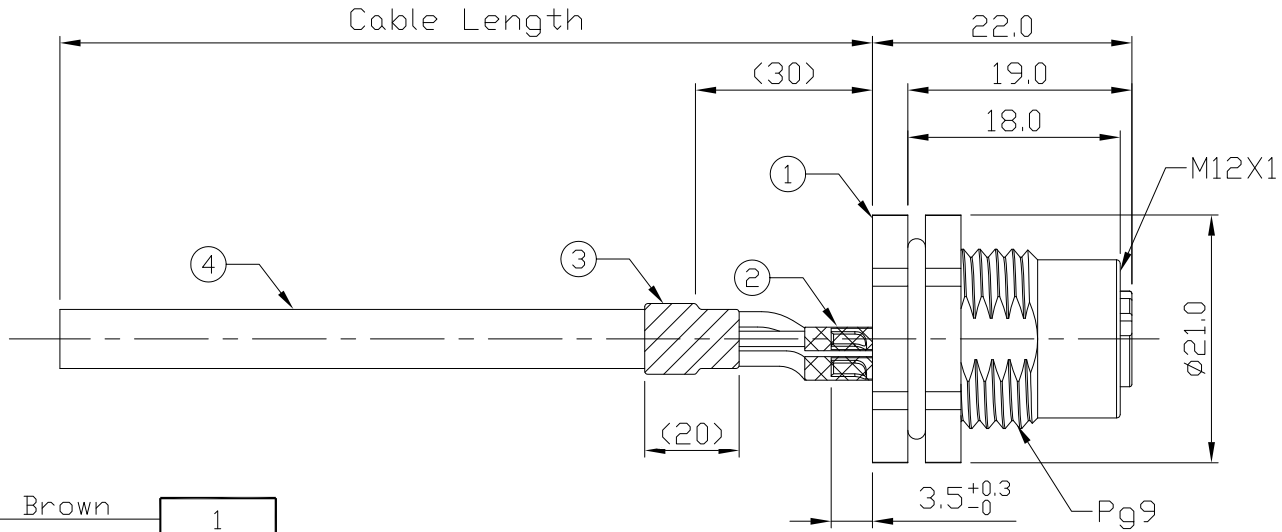


Notes: (Unless Otherwise Specified)

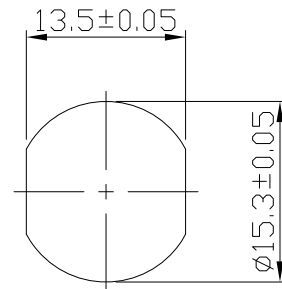
1. Waterproof Rate: IP68.
2. Panel Thickness: 0.8 To 5.0 mm.
3. Recommend Torque: 14~15 Kgf-cm.
4. Durability: 100 Cycles Min.
5. DWV: 1400 Vrms.
6. Rated Voltage: 250V AC/DC.
7. Insulation Resistance: 100 MΩ MIN.
8. RoHS Compliant.

REV	ECN#	DESCRIPTION OF REVISION	DRAW BY DATE	CHECK BY DATE	APPROVE BY DATE
01			Aileen 05/05/22	Lucas 05/05/22	Ray 05/05/22

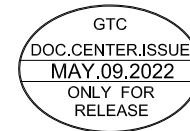


Brown	1
Black	3
Red	4

Wiring Diagram



Recommend Panel Cut-Out



GT234102-02031-02	2000 mm	+100
GT234102-02031-01	1000 mm	+50
GT234102-02031-Z9	900 mm	+50
GT234102-02031-Z8	800 mm	+50
GT234102-02031-Z7	700 mm	+50
GT234102-02031-Z6	600 mm	+50
GT234102-02031-Z5	500 mm	+50
GT234102-02031-Z4	400 mm	+50
GT234102-02031-Z3	300 mm	+25
GT234102-02031-Z2	200 mm	+25
Part No.	Cable Length	Tol.

4	Cable	UL2464 22AWG*3C, PVC Jacket OD=5.0mm, Color: Black	1
3	Shrink Tube	L=20mm Color: Black	1
2	Shrink Tube	L=10mm Color: Black	3
1	M12 A-Coding 4A 3P Panel Female Solder	GT Contact P/N: GT234102-02030	1
Item	Part Name	Material / Finish	Q'ty

TITLE						DRAWING NUMBER			REV.
M12 A-Coding 4A 3P Panel Female Solder With Cable						GT234102-02031-XX			01
THIRD ANGLE PROJECTION	SIZE	SCALE	DRAW / DATE	CHECK / DATE	APPROVE / DATE	TOLERANCES		UNIT	SHEET
	B	1:1	Aileen 05/05/22	Lucas 05/05/22	Ray 05/05/22	X.X ± 0.5 X.XX ± 0.2	X.XXX ± 0.05 ANGLES ± 1°	mm	1/1

GT Contact CO.,LTD

NOTICE OF PROPRIETARY PROPERTY:
THE INFORMATION CONTAINED HEREIN IS THE PROPRIETARY PROPERTY OF GT Contact CO.,LTD THE POSSESSOR AGREES TO THE FOLLOWING:
(a) TO MAINTAIN THIS DOCUMENT IN CONFIDENCE
(b) NOT TO REPRODUCE OR COPY IT
(c) NOT TO REVEAL OR PUBLISH IT IN WHOLE OR PART
(d) ALL RIGHTS RESERVED