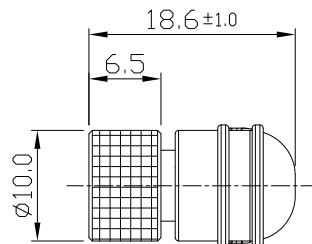


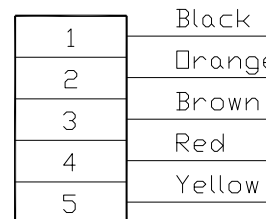
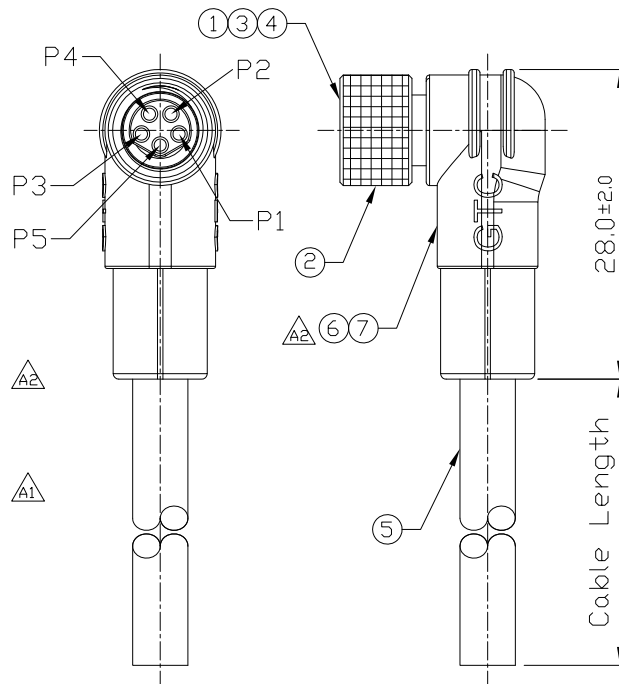
Notes: (Unless Otherwise Specified)

1. Waterproof Rate: IP68.
2. Durability: 100 Cycles Min.
3. DWV: 650 Vrms.
4. Rated Voltage: 30V AC/DC.
5. Insulation Resistance: 100 MΩ Min.
6. RoHS Compliant.

| REV | ECN#       | DESCRIPTION OF REVISION                                | DRAW BY DATE   | CHECK BY DATE  | APPROVE BY DATE |
|-----|------------|--|----------------|----------------|-----------------|
| A0  |            | Mass Production  | Joyce 05/11/11 | Lucas 05/11/11 | Ray 05/11/11    |
| A1  | ECN-110608 | Modify O-Ring Color(Red->Black); Marked $\triangle A1$ | Joyce 06/23/11 | Lucas 06/23/11 | Ray 06/23/11    |
| A2  | ECN-140419 | Cancel Inner Mold & Added Glue $\triangle A2$          | Joyce 05/21/14 | Lucas 05/21/14 | Ray 05/21/14    |



GTC  
DOC.CENTER.ISSUE  
APR.10.2018  
ONLY FOR  
RELEASE



Wiring Diagram

| Part No.          | Cable Length | Tol. |
|-------------------|--------------|------|
| GT2322A5-23051-10 | 10000 mm     | ±500 |
| GT2322A5-23051-09 | 9000 mm      | ±450 |
| GT2322A5-23051-08 | 8000 mm      | ±400 |
| GT2322A5-23051-07 | 7000 mm      | ±350 |
| GT2322A5-23051-06 | 6000 mm      | ±300 |
| GT2322A5-23051-05 | 5000 mm      | ±250 |
| GT2322A5-23051-04 | 4000 mm      | ±200 |
| GT2322A5-23051-03 | 3000 mm      | ±150 |
| GT2322A5-23051-02 | 2000 mm      | ±100 |
| GT2322A5-23051-01 | 1000 mm      | ±50  |
| GT2322A5-23051-Z5 | 500 mm       | ±40  |

| Item | Part Name | Material / Finish                                      | Qty |
|------|-----------|--|-----|
| 7    | Over Mold | PVC<br>Color: Black                                    | 1   |
| 6    | Glue      | Silicone<br>Color: -                                   | 1   |
| 5    | Cable     | UL2464 22AWG*5C+Talc(UV)<br>Color: Black, OD=5.5±0.2mm | 1   |
| 4    | O-Ring    | NBR<br>Color: Black                                    | 1   |
| 3    | Contacts  | Copper Alloy<br>Finish: Au Plated                      | 5   |
| 2    | Screw Nut | Copper Alloy<br>Finish: Ni Plated                      | 1   |
| 1    | Housing   | Thermoplastic<br>Color: Black                          | 1   |

|  |  |  |  |  |  |                                     |  |            |
|--|--|--|--|--|--|-------------------------------------|--|------------|
| TITLE<br>M8 B-Coding 3A 5P Cable End 90° Without SR Female |  |  |  |  |  | DRAWING NUMBER<br>GT2322A5-23051-XX |  | REV.<br>A2 |
|--|--|--|--|--|--|-------------------------------------|--|------------|

| THIRD ANGLE PROJECTION | SIZE | SCALE | DRAW / DATE    | CHECK / DATE   | APPROVE / DATE | TOLERANCES              | UNIT | SHEET |
|------------------------|------|-------|----------------|----------------|----------------|-------------------------|------|-------|
|                        | B    | 1.5:1 | Joyce 05/11/11 | Lucas 05/11/11 | Ray 05/11/11   | X.X ± 0.5<br>X.XX ± 0.2 | mm   | 1/1   |

GT Contact CO.,LTD

NOTICE OF PROPRIETARY PROPERTY:  
THE INFORMATION CONTAINED HEREIN IS THE PROPRIETARY PROPERTY OF GT Contact CO.,LTD THE POSSESSOR AGREES TO THE FOLLOWING:  
(1) TO MAINTAIN THIS DOCUMENT IN CONFIDENCE  
(2) NOT TO REPRODUCE OR COPY IT  
(3) NOT TO REVEAL OR PUBLISH IT IN WHOLE OR PART  
(4) ALL RIGHTS RESERVED